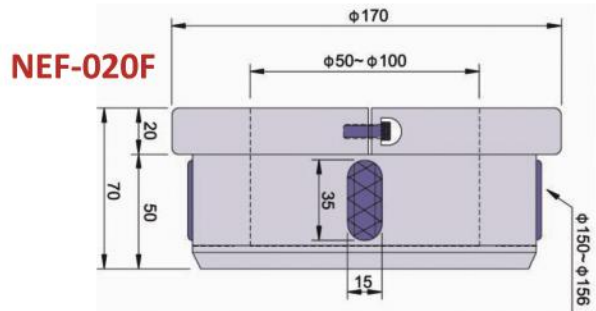
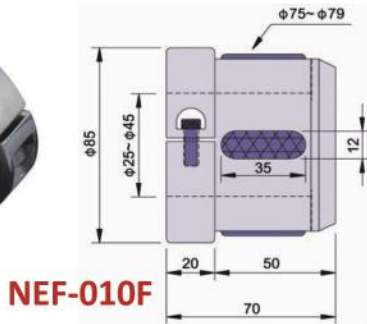
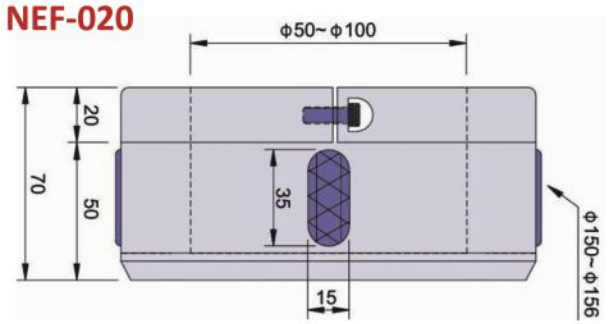
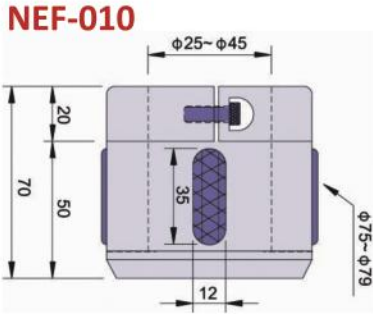


HOLLOW MECHANICAL CHUCK



TROUBLESHOOTING

Problem	Possible Cause	Recommended Solution
Lugs do not retract fully	Chuck not fully deflated	Deflate chuck
	Spring is broken	Replace spring
	Air system failure	See next item below
Air system failure	Air leak due to damaged diaphragm	Inspect diaphragm for holes or tears Request maintenance procedure for disassembly instruction
	Chuck O-ring missing or damage	Replace O-ring
	Leaking rotary union	Repair or replace
	Damaged side valve	Replace side valve
Adapter moving on chuck	Adapter locking pin/setscrew not installed	Install adapter locking pin/setscrew
	Adapter locking pin/setscrew not install correctly	Check alignment of lug keys and ensure that adapter locking Pin/setscrew is properly seated
	Adapter locking pin/setscrew broken	Replace adapter locking pin
Adapter locking pin/setscrew Breaking off	Locking pin/setscrew not fully inserted Below surface of adapter body	Check for proper alignment of locking pin/setscrew. Ensure That it is fully inserted and seated in locking pin hole.
	Locking pin/setscrew not fully inserted Below surface of adapter body	Check for proper alignment of locking pin/setscrew. Ensure That it is fully inserted and seated in locking pin hole.
Core will not fit onto adapter	Locking pin/setscrew not fully inserted Below surface of adapter body	Check for proper alignment of locking pin/setscrew. Ensure That it is fully inserted and seated in locking pin hole.
	Wrong core size	Check core size