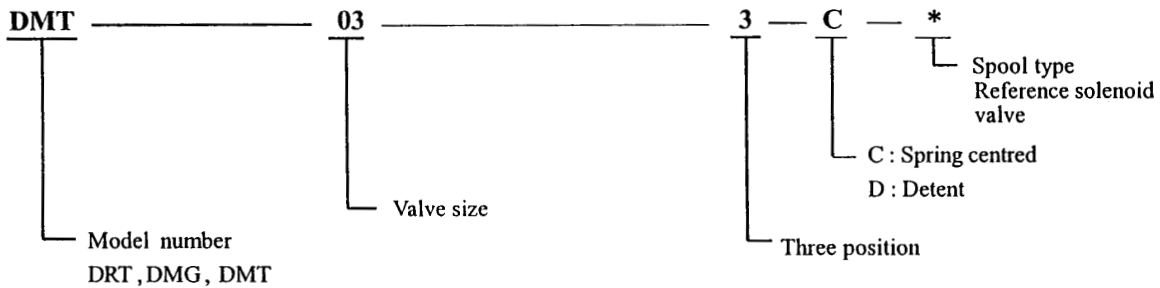


# MANUALLY OPERATED DIRECTIONAL VALVES

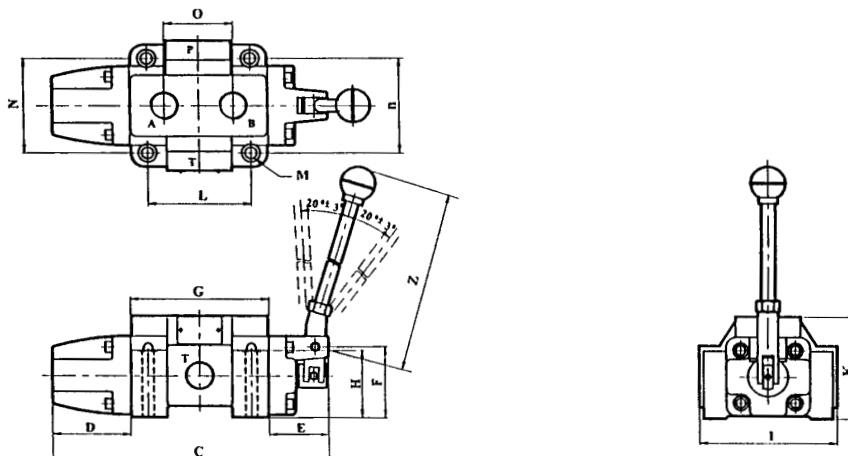
Manually operated directional valve are know as 4-ways valve. Spool movement by hand level, have rotary and level two type.

	Model	Max. flow l/min	Max. pressure kg/cm <sup>2</sup>	Spool	Weight kg
Rotary type thread connection	DRT-03-..	50	70	3C2	3.4
Level type thread connection	DMT-03-..	100	250	3C2 、 3C3 3C4 、 3C6 3D2 、 3D3 3D4 、 3D6	5.0
	DMT-04-..	200			7.6
	DMT-06-..	300			11.1
	DMT-10-..	500			23.1
Level type subplate connection	DMG-02-..	60	250		1.6
	DMG-03-..	100			4.0
	DMG-06-..	500	315		15.0

## ORDERING CODE



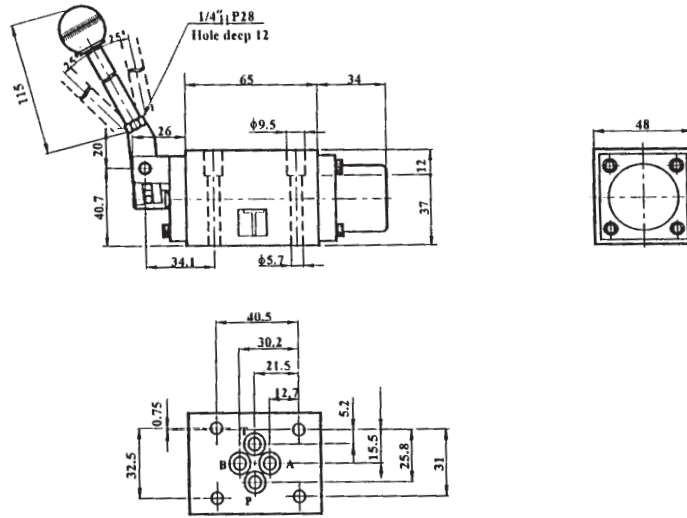
DMT - 03 , 04 , 06 , 10



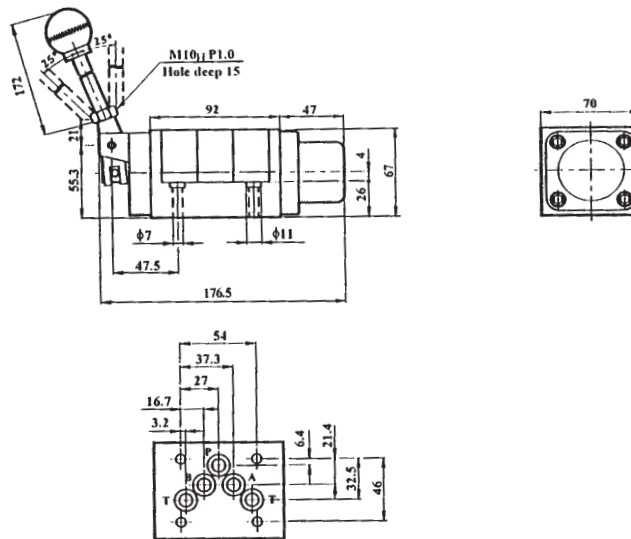
Model	A PT	B PT	C mm	D mm	E mm	F mm	G mm	H mm	I mm	K mm	L mm	M mm	N mm	n mm	O mm	P PT	T PT	Z mm
DMT-03	3/8"		174.0	46.0	36	63.0	92	75	78	87.0	56.2	ε 7H 4	49.0	—	45.5	3/8"		203
DMT-04	1/2"		227.5	63.5	46		118	59	107	88.5	80.5	ε 9H 4	82.5	—	50.0	1/2"		230
DMT-06	3/4"		258.0	72.0	56	69.0	130	65	128	99.0	97.0	ε 11H 4	94.4	93.2	64.8	3/4"		240
DMT-10	1 1/4"		335.0	94.0	70	88.5	171	83	163	121.0	132.3	ε 13H 4	126.0	—	79.0	1 1/4"		307

# MANUALLY OPERATED DIRECTIONAL VALVES

DMG - 02



DMG - 03



DMG - 06

