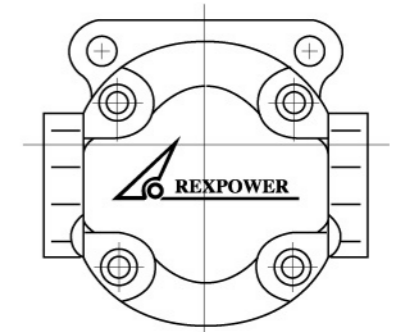
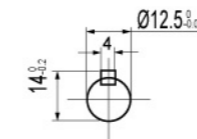
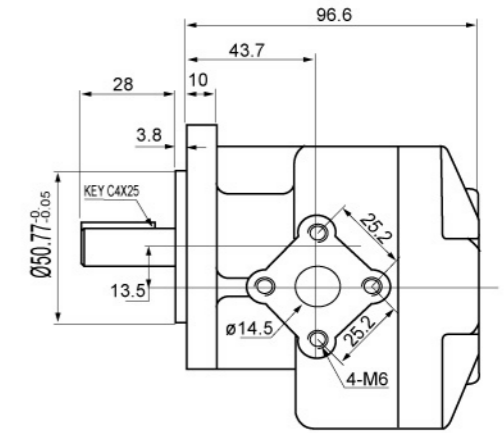
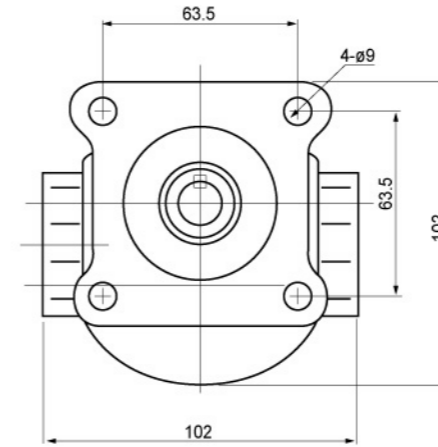
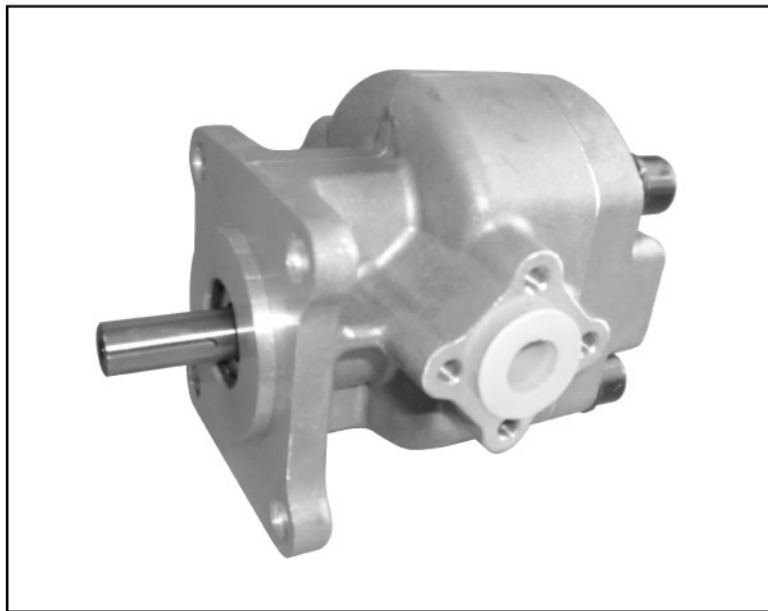


# RGP - 2A SERIES GEAR PUMP



## HOW TO ORDER

### RGP - 2A - F \* \* - R

- Gear Pump
- Series Number
- Nominal Discharge
- Rotation (from shaft side)  
R: clock wise  
L: anti-clock wise

Model	Displacement ml/rev	Pressure Mpa		Speed rpm		Weight kg
		Rated	Max	Max	Min	
RGP-2A-F02	2	21 (3000 psi)	25 (3500 psi)	5000	850	1.55
RGP-2A-F03	3					1.56
RGP-2A-F04	4					1.58
RGP-2A-F05	5			3000	600	1.60
RGP-2A-F06	6					1.60
RGP-2A-F08	8	17.5 (2500 psi)	21 (3000 psi)	2000	500	1.65
RGP-2A-F09	9					1.65
RGP-2A-F11	11					1.70
RGP-2A-F12	12					1.70

## GEAR PUMP WITH LIFT VALVE

