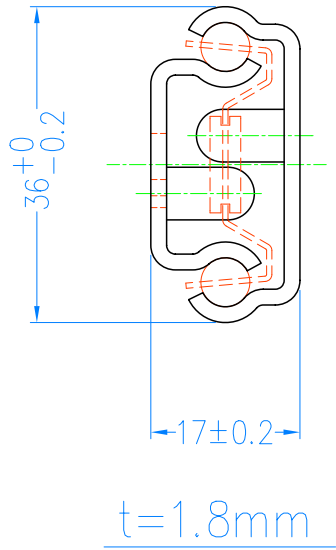
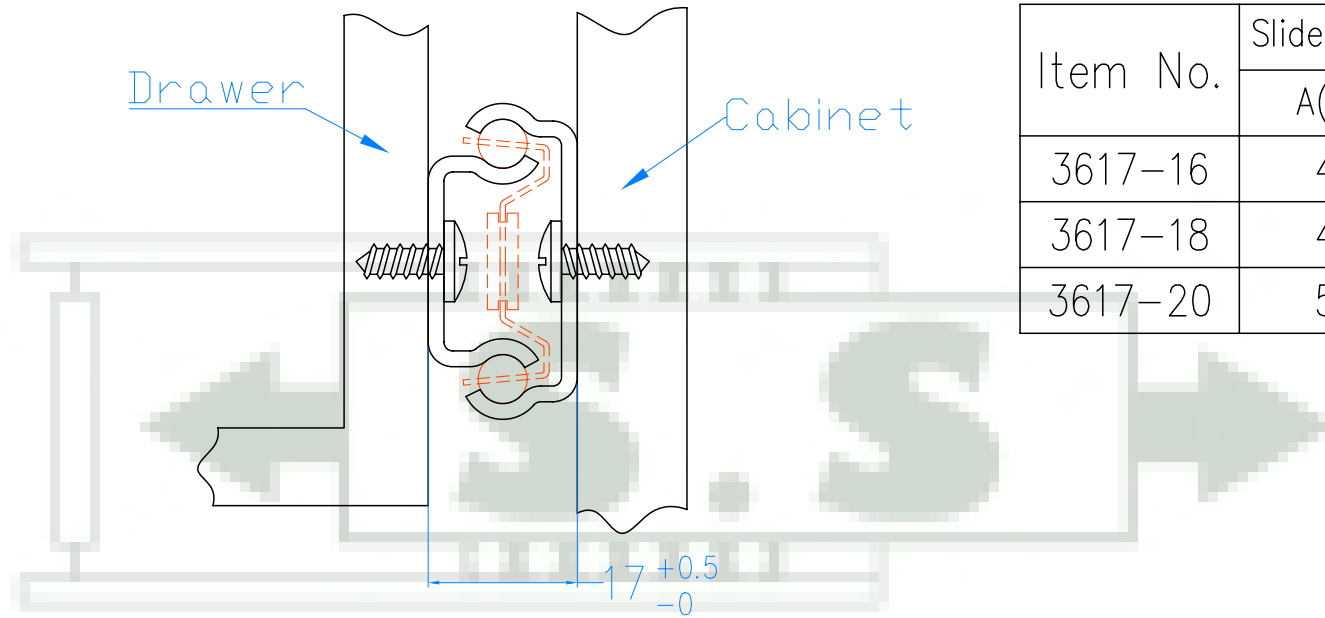


# Profile



# Instruction



Item No.	Slide Length	Slide Travel
	A(mm)	B(mm)
3617-16	400	285
3617-18	450	318
3617-20	500	352

