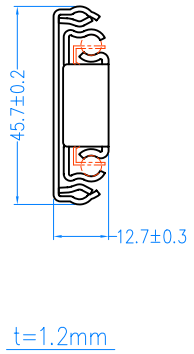
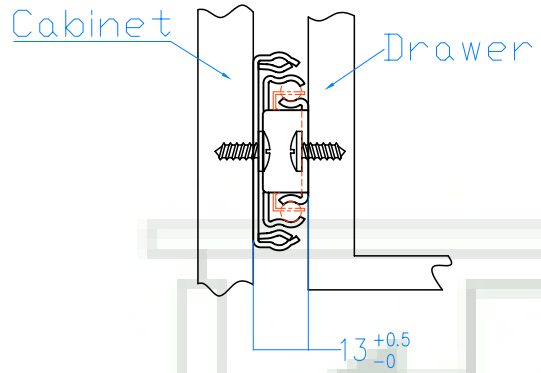


Profile



Instruction



| Item No. | Slide Length | Slide Travel | C(mm) | D(mm) | E(mm) | F(mm) |
|----------|--------------|--------------|-------|-------|-------|-------|
| | A(mm) | B(mm) | | | | |
| 46F-14 | 350 | 354 | 96 | 128 | 202 | - |
| 46F-16 | 400 | 404 | 128 | 160 | 252 | - |
| 46F-18 | 450 | 454 | 160 | 192 | 224 | 302 |
| 46F-20 | 500 | 504 | 192 | 192 | 224 | 352 |
| 46F-22 | 550 | 554 | 192 | 256 | 274 | 402 |

