

REV	MODIFICATION	DATE	DRAW
A0	Release To ECN20110605	2011.06.14	Seven
A1	Release To ECN20130306	2013.03.14	Seven
A2	Release To ECN20150603	2015.06.03	Michelle

Specification RoHS Compliant

1. Current Rating: 1A AC/DC
2. Voltage Rating: 50V AC
3. Contact Resistance: 20mΩ Max. (Initial) 40mΩ Max. (Final)
4. Insulation Resistance: 100MΩ Min. At DC 500V
5. Dielectric Withstanding Voltage: AC500V/Minute
6. Operating Temperature: -25°C ~ +85°C

Material:

1. Housing: High Temperature Thermoplastic UL94V-0
2. Tab: Copper Alloy T=0.20mm
3. Contact Pin: Copper Alloy T=0.20mm

Finish:

1. Housing: Natural
2. Tab: Tin Plated Over Nickel
3. Contact Pin: See P/N Option

Part No.: AS08701 XX X X X 1

No. Of Pin: 20~50

Packing: 1: T&R, 4: Tube

△2 Housing Material

5: HTN UL94V-0 Natural None H.F

K: HTN UL94V-0 Natural H.F

Plating


1: Bright Tin Plated Over Nickel

2: Matte Tin Plated Over Nickel

3: Gold Flash Over Nickel

PIN	DIM.A	DIM.B	DIM.C
2x10	9.00	13.10	12.30
2x15	14.00	18.10	17.30
2x20	19.00	23.10	22.30
2x25	24.00	28.10	27.30





金上達科技股份有限公司

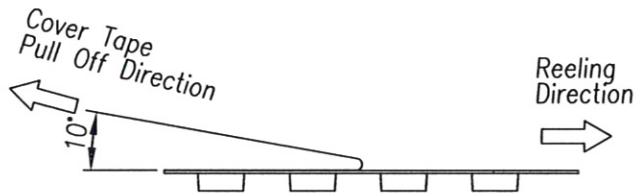
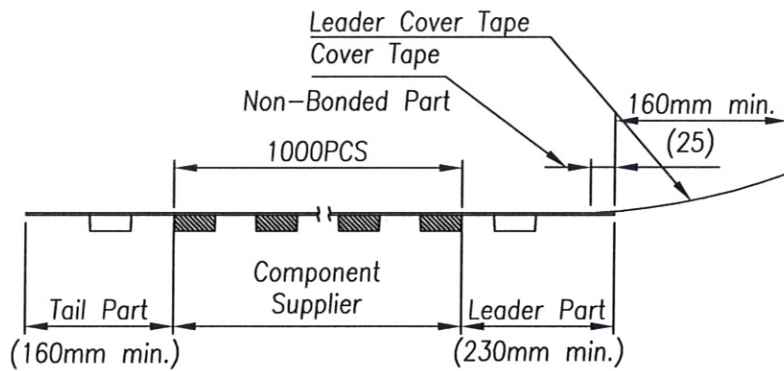
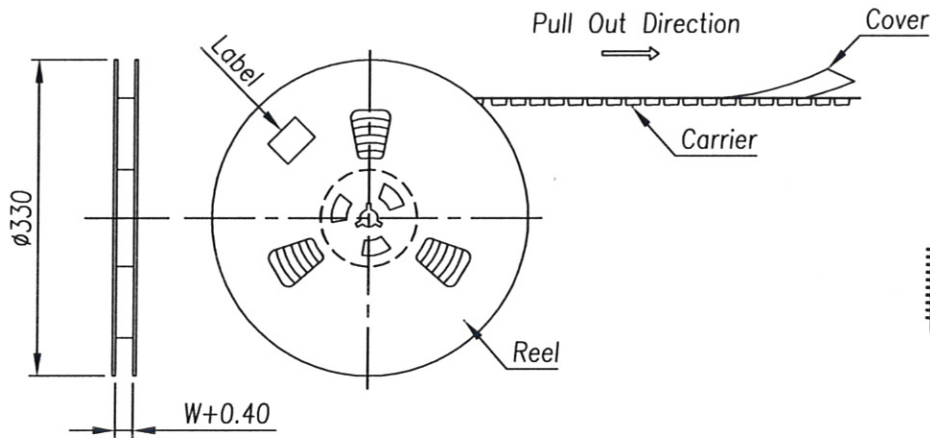
GOLDENSUND TECHNOLOGY CO., LTD

TOLERANCE UNLESS OTHERWISE SPECIFIED		PROJ.	TITLE: Wire To Board Wafer 1.00mm 90° SMT Dual Row	
.x ± 0.35	x: ± 2°	APR. C.F.Liao 20150603	PART NO. AS08701XXXXX1	DWG NO. AS08701XXXXX1
.xx ± 0.25	.x: ± 1°	CHK. Abel 20150603	UNITS: mm	CUSTOMER DRAWING
.xxx ± 0.15	.xx: ± 0.5°	DRA. Michelle 20150603	SIZE: A4	SCALE 5:1
		SHEET 1 / 2		REV A2

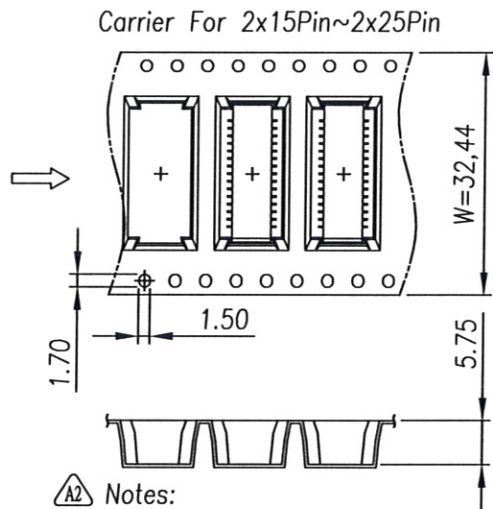
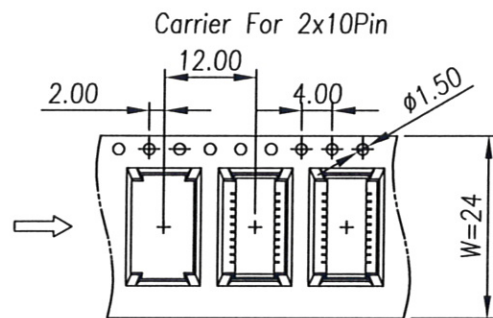
RoHS Compliant



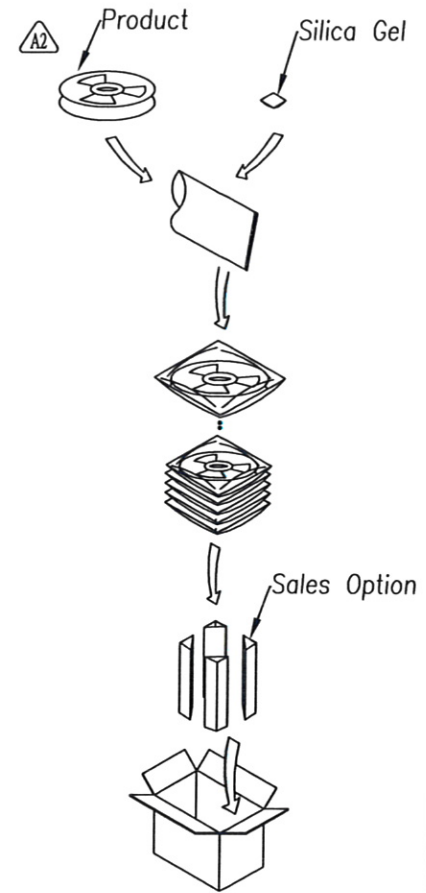
REV	MODIFICATION	DATE	DRAW
A0	Release To ECN20110605	2011.06.14	Seven
A1	Release To ECN20130306	2013.03.14	Seven
A2	Release To ECN20150603	2015.06.03	Michelle




PIN NO.	W ±0.30	PCS / REEL
20	24	1000
30	32	
40,50	44	



- Notes:**
1. Material : PS
 2. Part No.: AS08701XXXX11





金上達科技股份有限公司

GOLDENSUNDA TECHNOLOGY CO.,LTD

TOLERANCE UNLESS OTHERWISE SPECIFIED		PROJ.	TITLE: Wire To Board Wafer 1.00mm 90° SMT Dual Row			
.x± 0.35	.x'± 2'	APR. C.F.Liao 20150603	PART NO. AS08701XXXXX1	DWG NO. AS08701XXXXX1		
.xx± 0.25	.x'± 1'	CHK. Abel 20150603	UNITS: mm	CUSTOMER DRAWING		
.xxx± 0.15	.xx'± 0.5'	DRA. Michelle 20150603	SIZE: A4	SCALE Free	SHEET 2 / 2	
		REV A2				