

# Luter Hardware Lever Handles and Accessories

Superior Strength meets unsurpassed versatility

In recent years, the stainless steel 304/316 industry has had an exponential growth mainly in profiles for home, commercial and corporate use.

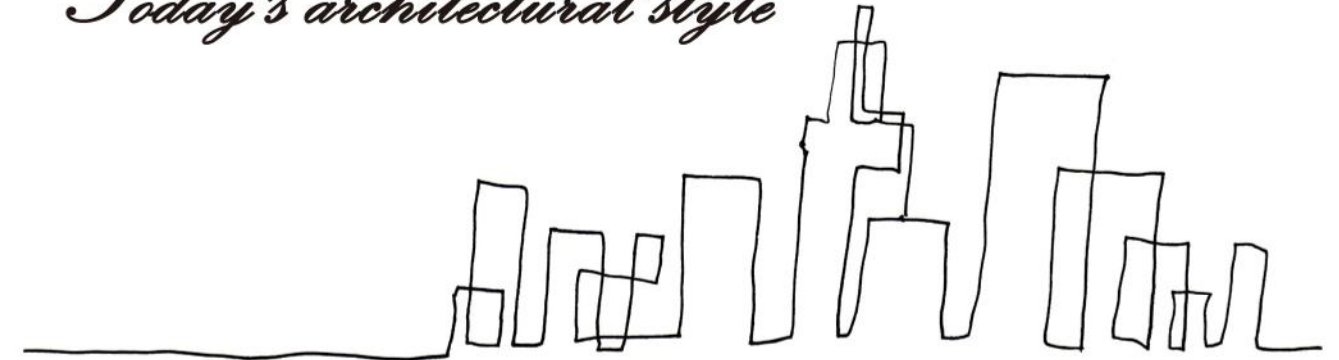
**Lutér**® has participated in this development with the line of locks, fittings and accessories for Stainless steel market more completed. The development and growth of the stainless steel market for home and commercial use, has led us to work with major manufacturers in the industry to develop products that meet specific standards on safety and beauty.

Higher levels of chromium and the addition of other alloying elements such as nickel and molybdenum improve the corrosion resistance and make them easier to fabricate. Our Lever handles are manufactured from # 304 or 316 stainless steel in order to defend damage in salt water and chlorine environments.

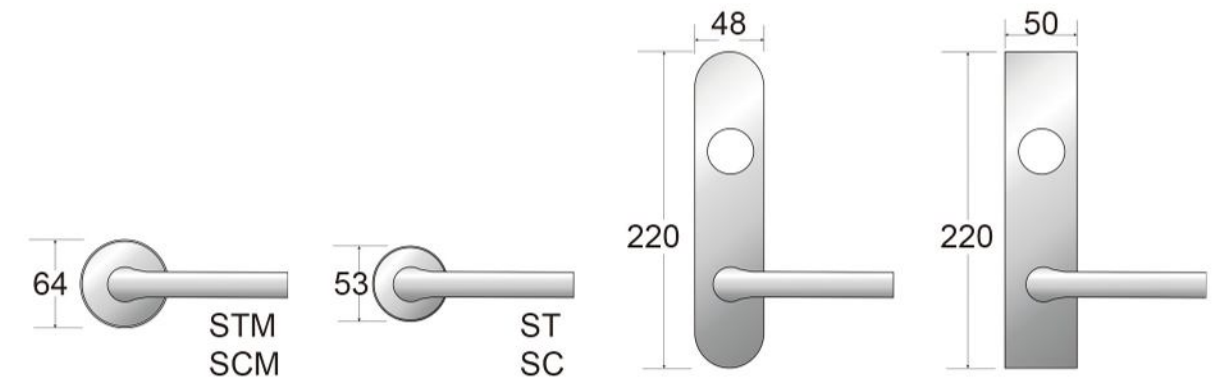
To ensure a high quality of life, the materials that we use as consumers and manufacturers should meet not only technical performance standards, but have a Long Service Life, be usable in a Great Number of Applications, and be Environmentally Friendly.



*Today's architectural style*



Much broaden choice of styles including Solid and Hollow Lever designs

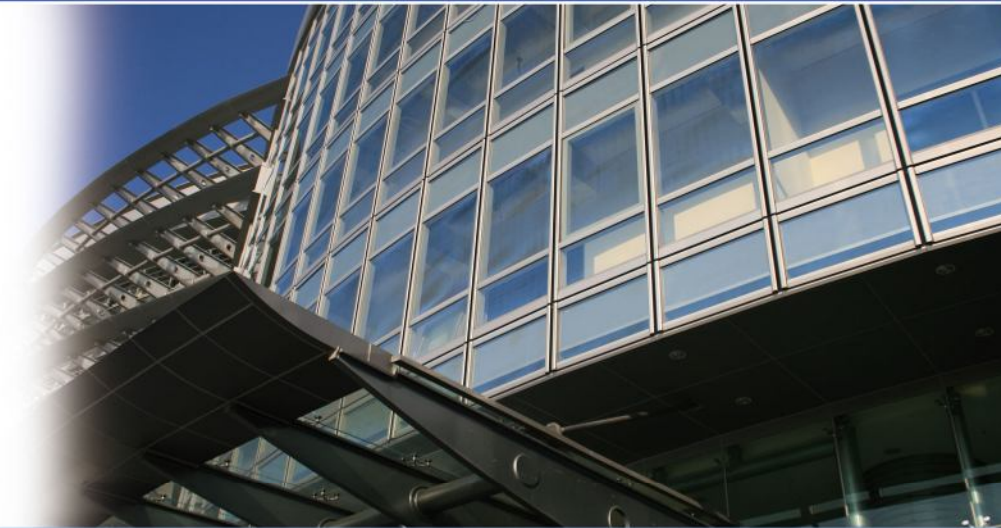
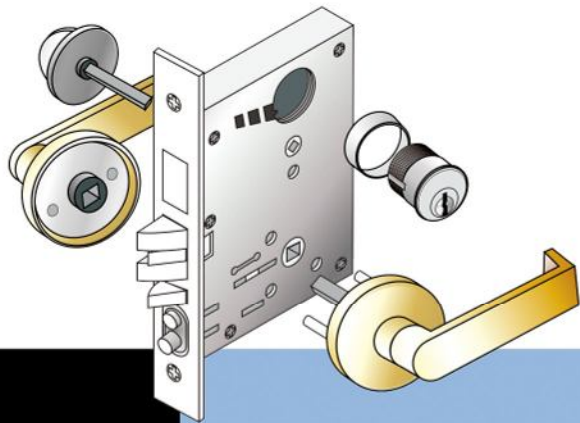


Our range STM / SCM furniture for heavy- duty lever handles for project applications. ST / SC components for residential applications. Lever handle and roses or plates can be fully interchanged even after fixing.

It is difficult to find out who's firstly design of hollow tubes splitting and welded the ends back together again, it is undeniable that this model has been widely used in contemporary architecture. The design is now known as the "Frankfurt". Lutér provide this product in the 101 building in Taiwan.



Residential Stainless Steel Handle Mortise Locksets  
STAINLESS STEEL 304/316 CASTING LEVER HANDLE



SC 001  
SCM001



SC 002  
SCM002



SC 003  
SCM003



SC 004  
SCM004



SC 005  
SCM005



SC 006  
SCM006



SC 007  
SCM007



SC 008  
SCM008



SC 009  
SCM009



SC 010  
SCM010



SC 011  
SCM011



SC 012  
SCM012



SC 013  
SCM013



SC 014  
SCM014



SC 015  
SCM015



SC 016  
SCM016



SC 017  
SCM017



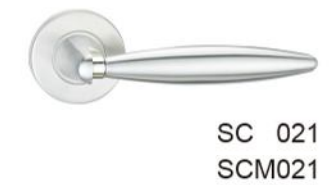
SC 018  
SCM018



SC 019  
SCM019



SC 020  
SCM020



SC 021  
SCM021



SC 022  
SCM022



SC 023  
SCM023



SC 024  
SCM024



SC 025  
SCM025



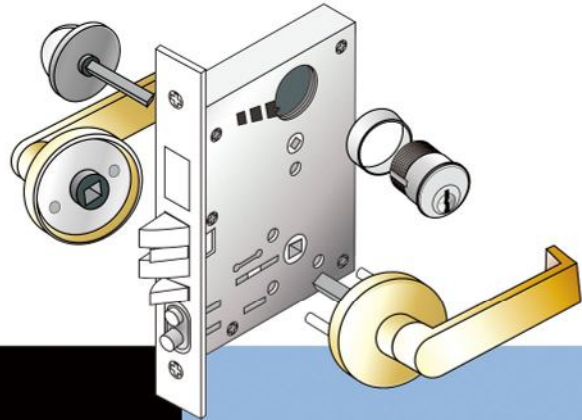
SC 026  
SCM026



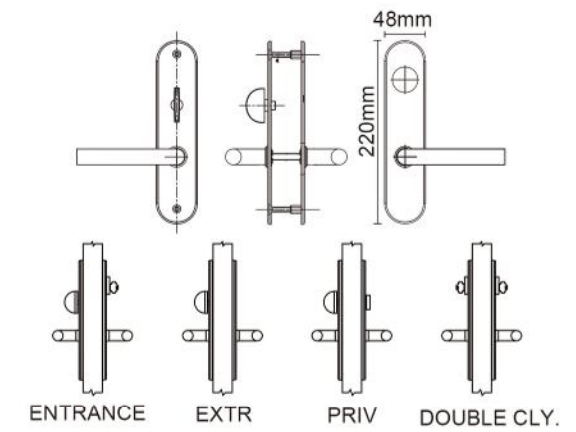
SC 027  
SCM027



Residential Stainless Steel Handle Mortise Locksets  
STAINLESS STEEL 304/316 HOLLOW LEVER HANDLE



ETM Plate



Rosettes

For SC / ST

For SCM / STM



How to Order

When you placing order, please inform us the following requirement you need. We will very appreciate your assistance.

1. Type Design:
  2. Model Function No.:
  3. Finish:
  4. Cylinder- Single Cylinder or Double Cylinders:
  5. Door Thickness:
- QTY.: