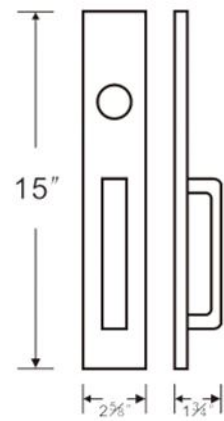
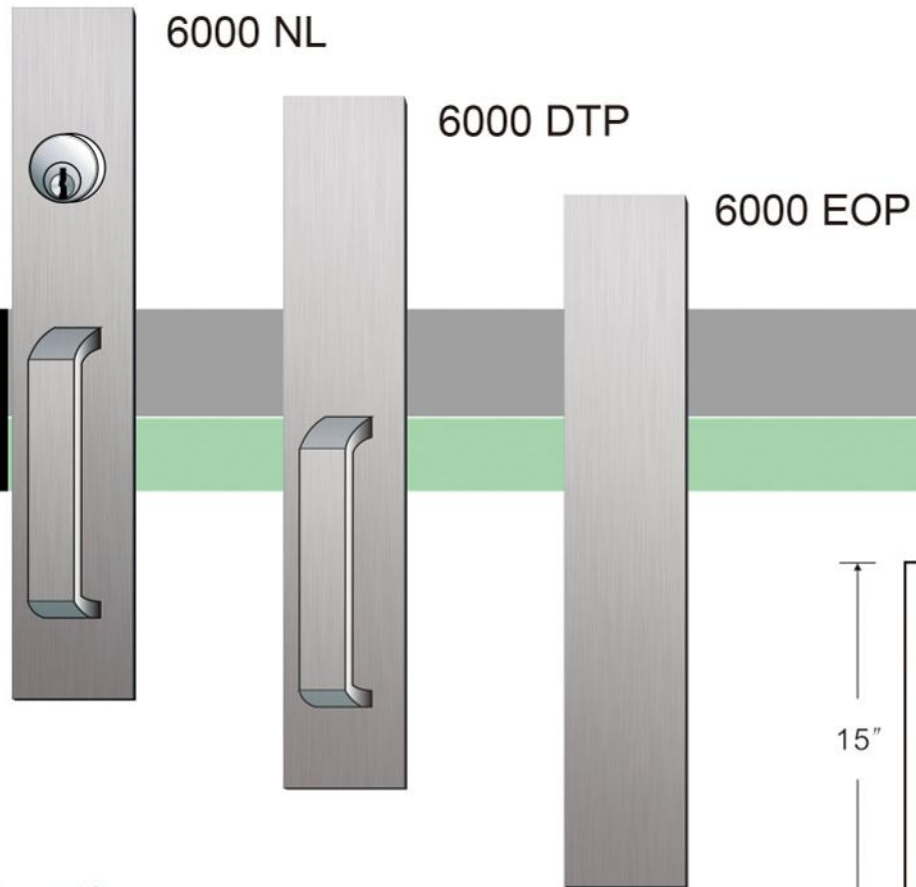


Luter Fire Command Panic Exit Device
Pull for Exit Device Outside Trim



Function

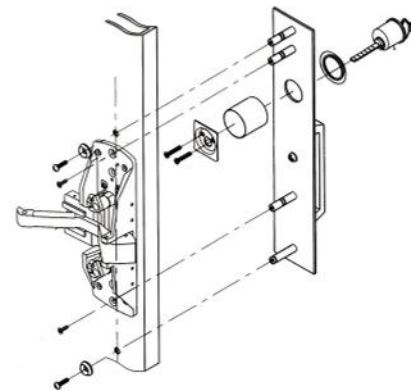
6000 NL ANSI Function – 08 (For Rim Device Only)
Thumbpiece trim, night latch with Rim Cylinder.
Keyway:
Standard 6-pin Schlage “C” keyway. Also
available in Corbin 60, Sargent LA cylinders.

ANSI Function - 02

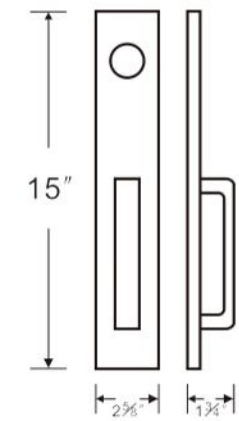
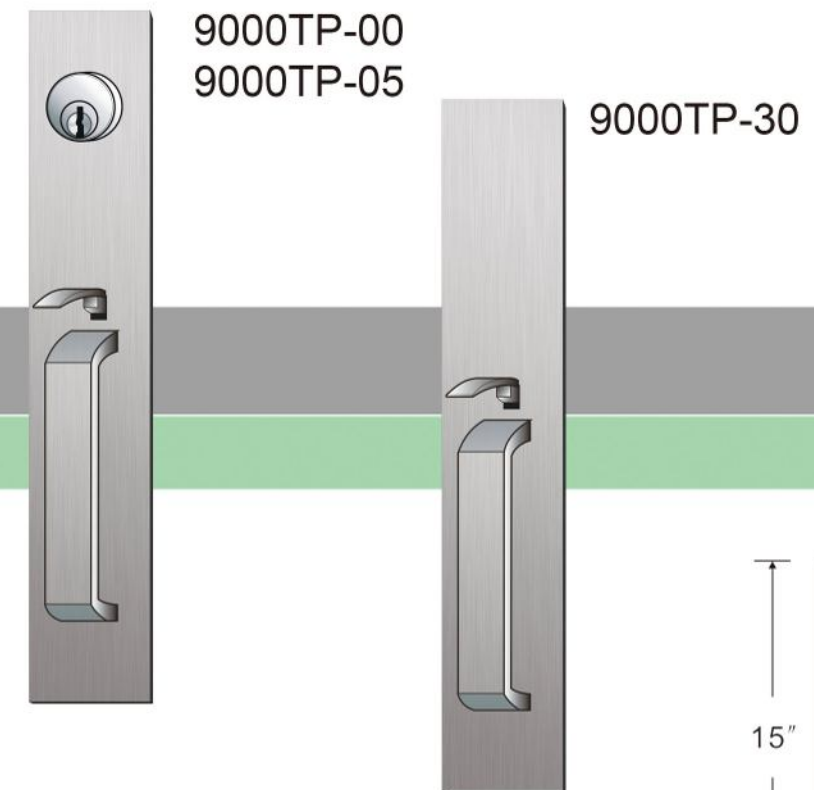
6000 DTP Pull Trim, Dummy, w/o Cylinder.

ANSI Function - 10

6000 EOP Cover plate only.



9000 Thumbpiece Trim



Function

9000TP-00 Entrance ANSI Function – 13 / 63
Key locks or unlocks thumbpiece.

9000TP-05 Storeroom ANSI Function - 04
Key retracts latchbolt, otherwise always
locked.

9000TP-30 Passage ANSI Function - 15 / 62
Trim always operable and free.

9000TP-40 Dummy ANSI Function - 10
Dummy trim. One side.

Keyway :

Standard 6-pin Schlage “C” keyway. Also available
in Corbin 60, Sargent LA cylinders.

Interchangeable Core :

Interchangeable core cylinder will accept
compatible 6 or 7 pin cores with BEST and
SCHLAGE. Show on page 32.

