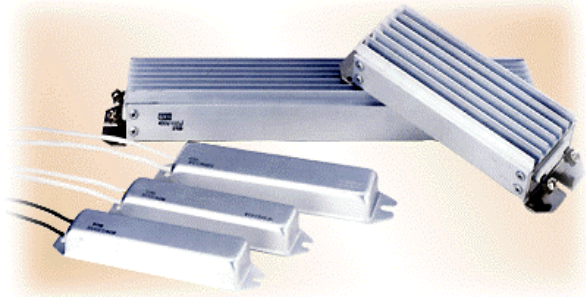
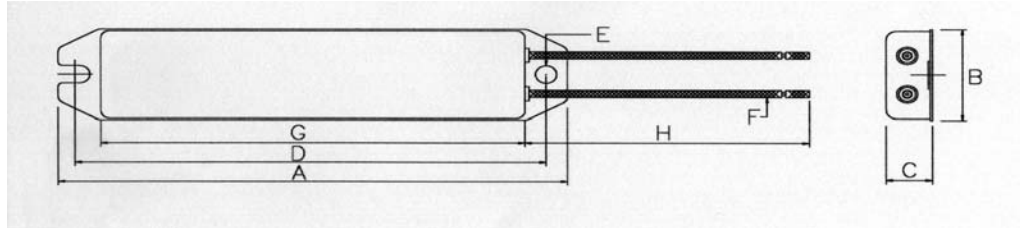


AL 系列电阻器



铝壳电阻器、系由弹簧合金电阻体与成形铝壳之组合，经高温阳极处理后，再以特殊不燃性耐水泥充填，待阴干、再藉由高温处理固定绝缘而成。由于整个电阻器都被耐热水泥充填固定，不怕外来之机械力量与尘埃环境，不但功率大且坚固、耐震、散热良好，电阻温度系数小、呈直线变化，其变通性佳多重组合选择、更方便使用者安装。适用于产业机械、负载测试、电力分配、仪器设备、自动控制装置...等，若需特殊规格型式，请与我们联系。

ASQ TYPE 电力型铝壳线绕电阻器



POWER RATING	DIMENSIONS 寸法 (mm)									RESISTANCE RANGE (Ω)
	A	B	C	D	E	F	G	H	Weight	
60W	100	30	13	90	4.5	0.75mm ²	75	400	66/g	2-2.0K Ω
80W	150	34	21	140	5	0.75mm ²	125	400	170/g	3-2.5K Ω
120W	182	42	21	172	6	0.75mm ²	150	400	175/g	4-4.0K Ω
220W	230	63	18	215	6.0	0.75mm ²	200	400		6-4.0K Ω

PERFORMANCE SPECIFICATIONS

项目 TEST ITEM	试验方法 TEST METHODS	性能 CHARACTERISTICS	Remark
电阻值容许误差 Resistance tolerance	JIS-C-5202 5-1	Tolerance resistance±10% (K)	
电阻温度特性 Temperature coefficient	JIS-C-5202 5-2	±200PPM/°C MAX	ETC
定格负荷 Power rating load	JIS-C-5202 5-4	Δ R/R ≤ ± (5.0% + 0.1Ω) MAX Surface temperature up 350°C MAX Depend on alloy wire	
短时间过负荷 Short-term overload	JIS-C-5202 5-5 1000% rated power 5 seconds	Free of appearance or structural irregularity Δ R/R ≤ ± (2% + 0.1Ω)	
绝缘抵抗 Insulation resistance	JIS-C-5202 5-6 1000VDC	100MΩ min	ETC
耐电压 Dielectric withstanding voltage	JIS-C-5202 5-7 2000VDC 1 minute	Free of appearance or structural irregularity Δ R/R ≤ ± (0.1% + 0.05Ω)	ETC
端子强度 Terminal strength	JIS-C-5202 6-1 8kg 30 seconds	Free of appearance or structural irregularity	ETC
电阻器强度 Resistor strength	JIS-C-5202 6-2 30kg 30 seconds	Free of appearance or structural irregularity	ETC
耐振性 Vibration	JIS-C-5202 6-3 1.5m/m 10 ~ 50 ~ 10 Hz/min X-Y-Z 2 hours each	Free of appearance or structural irregularity Δ R/R ≤ ± (1% + 0.05Ω)	ETC
热冲击 Thermal shock	JIS-C-5202 7-3 Room temp 30 minutes ON-55°C 15 minutes OFF	Resistor free of structural irregularity Crack of silicon cement surface Δ R/R ≤ ± (2% + 0.1Ω)	
耐湿性 Humidity	JIS-C-5202 7-5 40°C 90%RH 240 hours	Free of appearance or structural irregularity Δ R/R ≤ ± (3% + 0.1Ω)	ETC
耐久性 Load life	JIS-C-5202 7-10 90 minutes ON - 30 minutes OFF 500 hours	Free of appearance or structural irregularity Discoloration of marking Δ R/R ≤ ± (5% + 0.1Ω)	
难燃性 Flame retardation	JIS-C-5202 7-13-3-2 100% - 600% rated power load	US UL-94 flame retardation test V-0 grade noncombustible	

备注 REMARKS

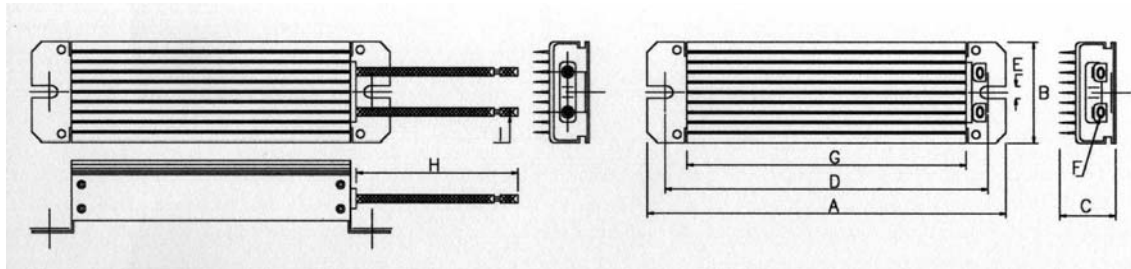
- Items noted with ETC were tested by Taiwan Electronic Testing Center as shown in report No.ET89T-03-086-C00.
- Resistance and resistance tolerance were tested in-house with micro resistance meter.
- Resistor coating refers to UL-certified data provided by supplier.

订货方式

ASQ	80W	120Ω	K	G	O
↓	↓	↓	↓	↓	↓
成品类别	额定电力(w)	阻抗值(Ω)	容许误差	组合方式	产品属性
ASQ type	60W~200W	表示阻抗值	J = 阻值误差 ±5% K = 阻值误差 ±10%	G ~ 卧式固定	A ~ 特殊要求 O ~ 一般规格

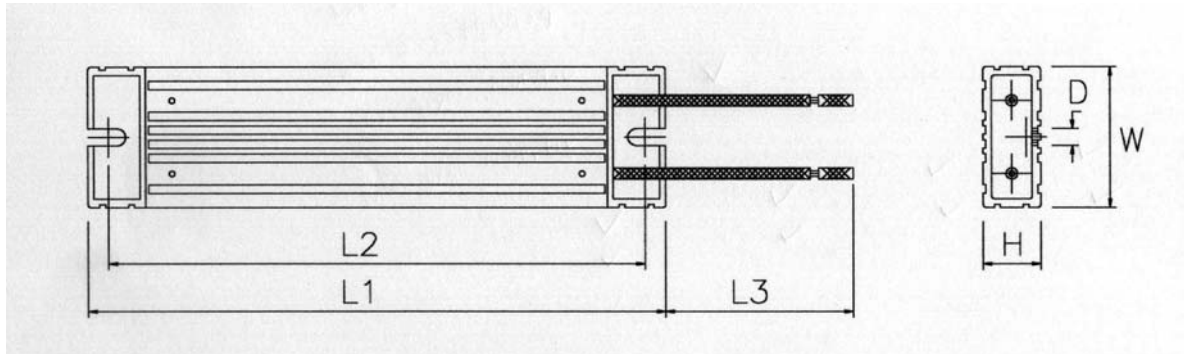
YESO 电力型铝壳线绕电阻器

ASH TYPE 电力型铝壳线绕电阻器



POWER RATING	DIMENSIONS 寸法 (m/m)										RESISTANCE RANGE (Ω)
	A	B	C	D	E	F	G	H	I	Weight	
200W	200	65	45	185	6	M5×8mm	160	300	2mm ²	725/g	2 - 6.0K Ω
300W	240	65	45	225	6	M5×8mm	200	300	2mm ²	890/g	3 - 7.0K Ω
400W	280	65	45	265	6	M5×8mm	240	300	2mm ²	1050/9	4 - 8.0K Ω
500W	320	65	45	305	6	M5×8mm	280	300	2mm ²	1170/g	5 - 9.0K Ω
600W	360	65	45	345	6	M5×8mm	320	300	2mm ²	1295/g	6 - 10K Ω
800W	440	65	45	425	6	M5×8mm	400	300	2mm ²	1650/g	8 - 10K Ω
1000W	520	65	45	505	6	M5×8mm	480	300	2mm ²	1935/g	10 - 10K Ω

ASZ TYPE 电力型铝壳线绕电阻器



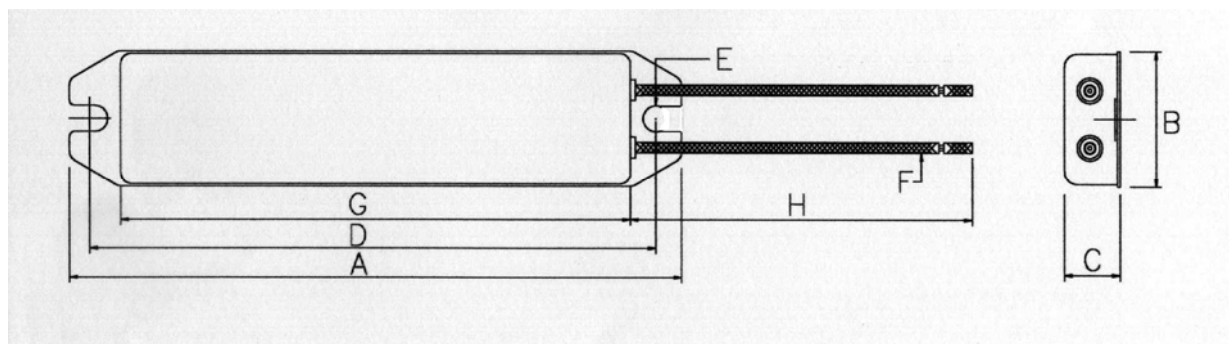
POWER RATING	DIMENSIONS 寸法 (m/m)							RESISTANCE RANGE (Ω)
	W±1	H±1	L1±2	L2±2	D±0.5	L3±10	Weight	
60W	40	20	115	100	5.2	200	165/g	2-2K Ω
80W	40	20	140	125	5.2	200	190/g	2-2.5K Ω
100W	40	20	165	150	5.2	200	225/g	2-3K Ω
120W	40	20	190	175	5.2	200	275/g	3-4K Ω
150W	40	20	215	200	5.2	200	310/g	3-5K Ω
200W	60	30	165	150	5.2	300	500/g	3-6K Ω
300W	60	30	215	200	5.2	300	675/g	5-7K Ω
400W	60	30	265	250	5.2	300	850/g	4-8K Ω
600W	60	30	335	320	5.2	300	1070/g	6-9K Ω
800W	60	30	400	385	5.2	300	1250/g	8-10K Ω

订货方式

ASH	400W	20 Ω	J	N	O
↓	↓	↓	↓	↓	↓
成品类别	额定电力(w)	阻抗值(Ω)	容许误差	组合方式	产品属性
ASH type ASZ type	200W~600W 60W~800W	表示阻抗值	J = 阻值误差 $\pm 5\%$ K = 阻值误差 $\pm 10\%$	G ~ 卧式固定 N ~ 无固定架	A ~ 特殊要求 O ~ 一般规格

YESO 电力型铝壳线绕电阻器

ASS TYPE 电力型铝壳线绕电阻器



POWER RATING	DIMENSIONS 寸法 (m/m)								RESISTANCE RANGE (Ω)	
	A	B	C	D	E	F	G	H		Weight
40W	90	30	9	80	4.5	0.75mm ²	70	400	50/g	2-2.0K Ω
60W	110	30	9	100	4.5	0.75mm ²	90	400	60/g	3-2.5K Ω

訂貨方式

ASS	60W	20 Ω	K	N	O
↓	↓	↓	↓	↓	↓
成品類別	額定電力(w)	阻抗值(Ω)	容許誤差	組合方式	產品屬性
ASS type	40W~60W	表示阻抗值	J = 阻值誤差 $\pm 5\%$ K = 阻值誤差 $\pm 10\%$	G ~ 臥式固定 N ~ 無固定架	A ~ 特殊要求 O ~ 一般規格