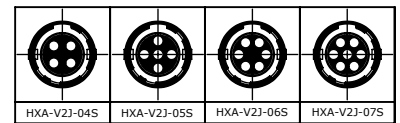


Specifications:

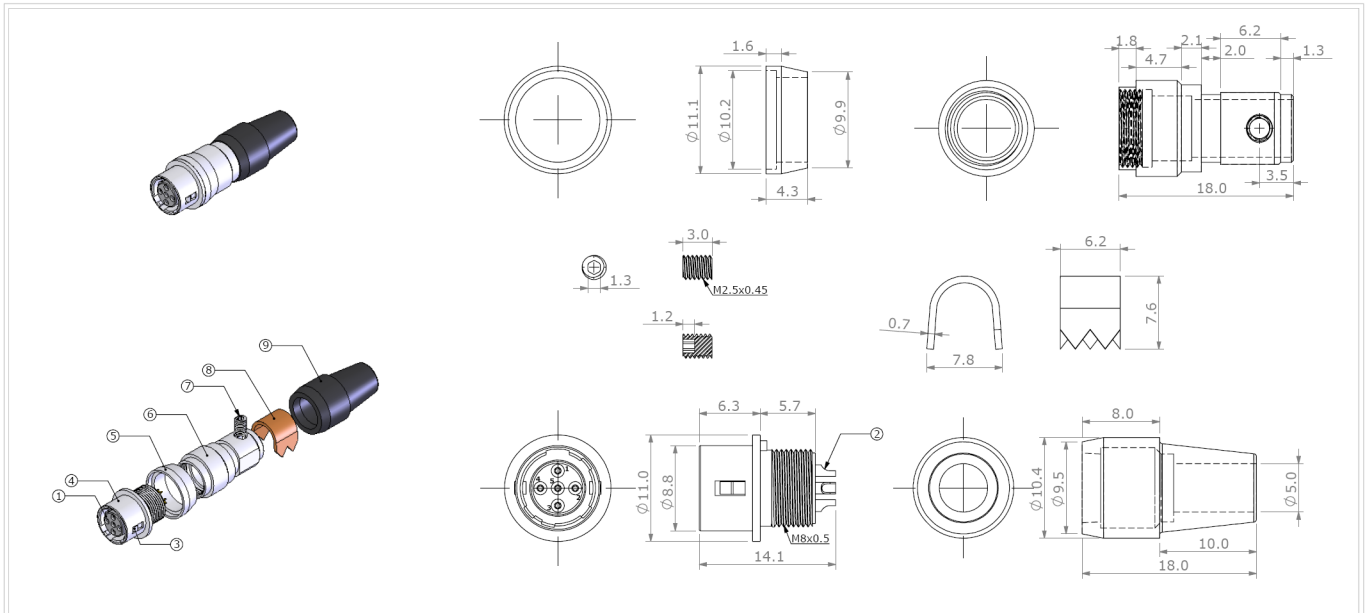
No. of Contacts	4, 5, 6, 7
Withstanding Voltage	AC 300V for a minute
Current Rating	2A
Insulation Resistance	MIN. 1000Mohm
Contact Resistance	MAX. 10mohm



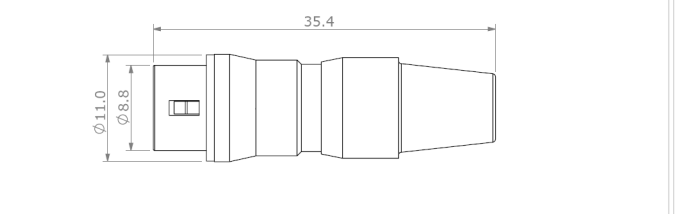
- Note 1. The contact arrangement shown here is the front view of the connector
 2. The withstanding voltage shown here is test voltage value.
 3. The insulation resistance value is measured at DC100V.
 4. The contact resistance value is measured at DC1A.



Mechanical drawing:



No.	Description	Material	Treat	Q'ty
9	Strain Relief	NBR	Black	1
8	Cramp	Copper		1
7	Screw	Steel	Nickel Ptd.	1
6	Jack Shell	Brass	Nickel Ptd.	1
5	7J Shell	Brass	Nickel Ptd.	1
4	Receptacal Shell	Zn Alloy	Nickel Ptd.	1
3	Spring	Stainless		1
2	Terminals	Brass	Gold Flash	5
1	5S Housing	PA46	Black	1



俞昌有限公司 YEU TSANG CO. LTD.	品名: ITEM:	5P HXA V2J FEMALE		Tolerance: .X +/-0.25 .XX +/-0.10	SHEET: 1 1	單位: unit:	mm	日期: date:	'12/03/22	繪圖: drwn by:	DanielShyr
	料號: PART NO.	HXA-V2J-05S	圖號: DRW NO.				比例: scale:	2 : 1	版本: version:	V. 1.0	核准: aprld by:

COPYRIGHT BY YEU TSANG

Initial	Date
---------	------

tolerance X: ±0.5 mm .X: ±0.25 mm .XX: ±0.10 mm
 applicable unless otherwise indicated in specification or on drawings