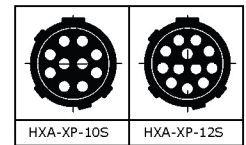


Specifications:

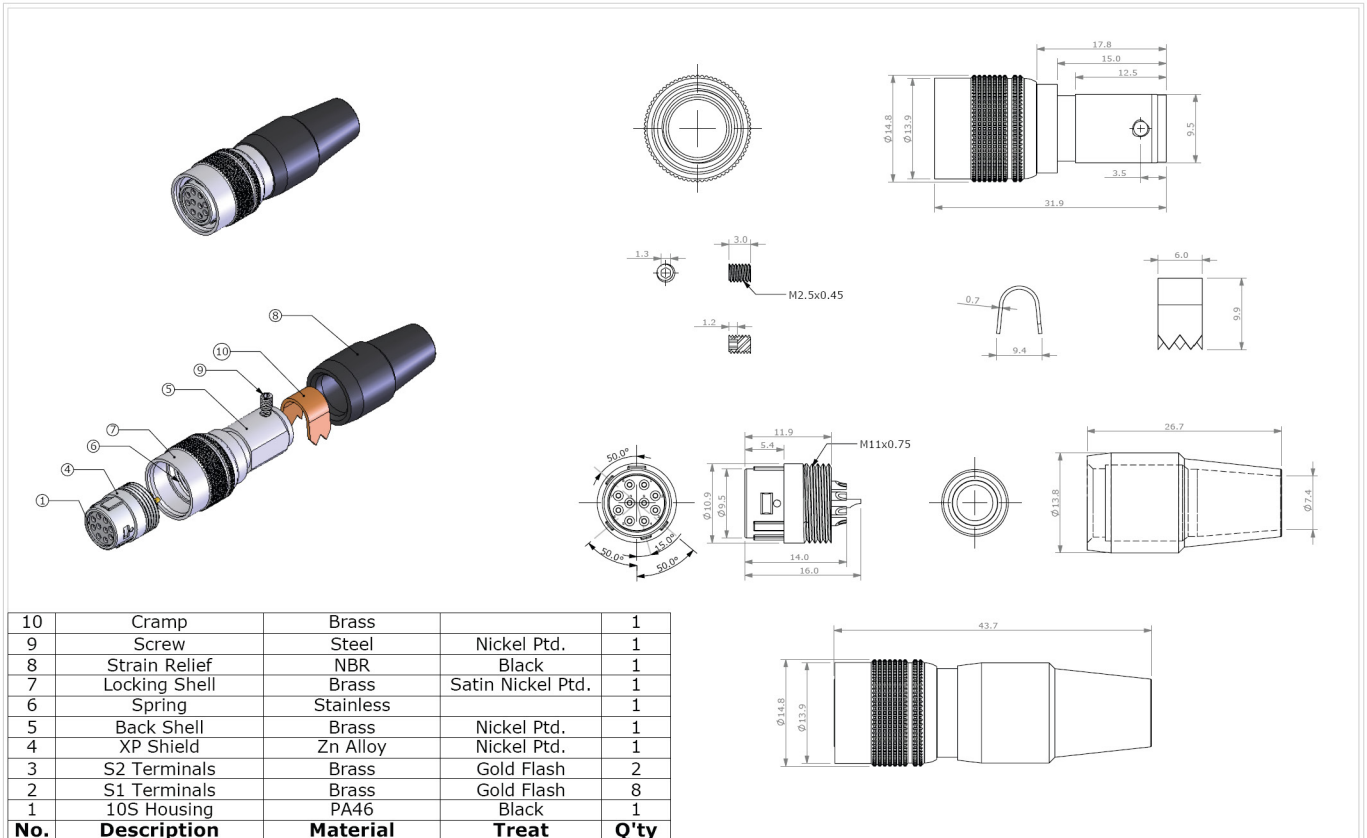
No. of Contacts	10 , 12
Withstanding Voltage	AC 300V for a minute
Current Rating	2A
Insulation Resistance	MIN. 1000Mohm
Contact Resistance	MAX. 10mohm



- Note 1. The contact arrangement shown here is the front view of the connector
 2. The withstanding voltage shown here is test voltage value.
 3. The insulation resistance value is measured at DC100V.
 4. The contact resistance value is measured at DC1A.



Mechanical drawing:



No.	Description	Material	Treat	Q'ty
10	Cramp	Brass		1
9	Screw	Steel	Nickel Ptd.	1
8	Strain Relief	NBR	Black	1
7	Locking Shell	Brass	Satin Nickel Ptd.	1
6	Spring	Stainless		1
5	Back Shell	Brass	Nickel Ptd.	1
4	XP Shield	Zn Alloy	Nickel Ptd.	1
3	S2 Terminals	Brass	Gold Flash	2
2	S1 Terminals	Brass	Gold Flash	8
1	10S Housing	PA46	Black	1

俞昌有限公司 YEU TSANG CO. LTD.	品名: ITEM :	10P HXA XP FEMALE			Tolerance:	SHEET:	單位: unit:	mm	日期: date:	'12/05/05	繪圖: drwn by:	DanielShyr
	料號: PART NO.	HXA-XP-10S	圖號: DRW NO.			.X +/-0.25 .XX +/-0.10		比例: scale:	3 : 2	版本: version:	V. 1.0	核准: aprvld by:

COPYRIGHT BY YEU TSANG

Initial	Date
---------	------

tolerance X: ±0.5 mm .X: ±0.25 mm .XX: ±0.10 mm
 applicable unless otherwise indicated in specification or on drawings