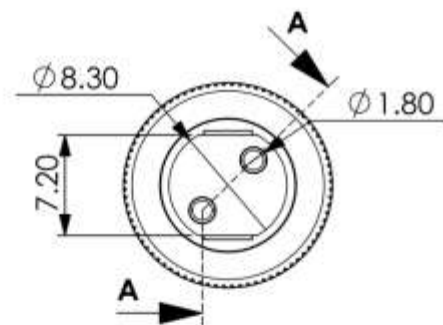
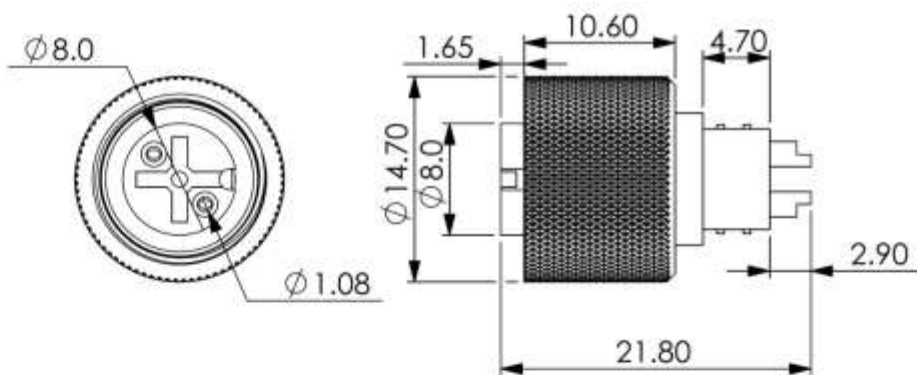
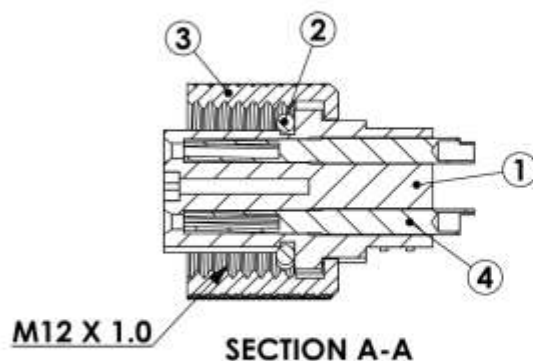


# WATERPROOF CONNECTORS

- **IP67 M12 CABLE JACKS**
- **2.3.4.5.8 PINS**
- **MOLDING TYPE**
- **WP1202JMR**
- **WP1203JMR**
- **WP1204JMR**
- **WP1205JMR**
- **WP1208JMR**
- **WP1208JM**





No.	Description	Material	Treat	Q'ty
1	1202J Housing	PBT+GF15%		1
2	Rubber Ring	NBR		1
3	Screw Cap	Brass	Nickel Ptd.	1
4	Terminals	Brass	Gold Ptd.	2

俞昌有限公司  
YEU TSANG CO. LTD.

品名: 2P M12 WATER TIGHT CABLE JACK  
ITEM :  
料號: WP1202JMR  
PART NO

圖號:  
DRW NO.



一般公差  
.X +/-0.25  
.XX +/-0.10



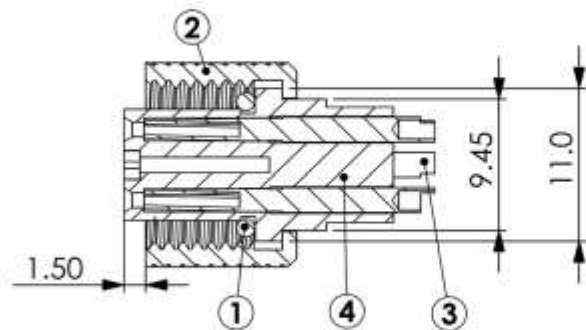
單位: mm  
比例: 2:1

日期: '07/01/23  
版本: V. 1.0

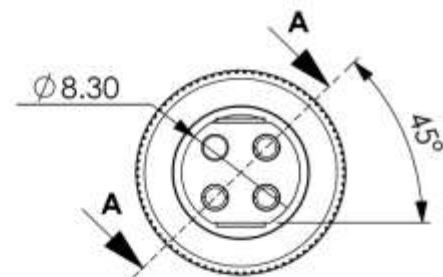
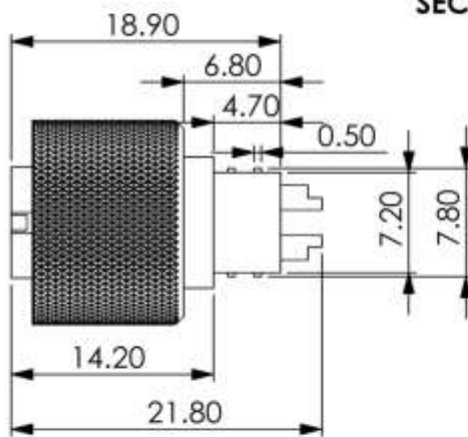
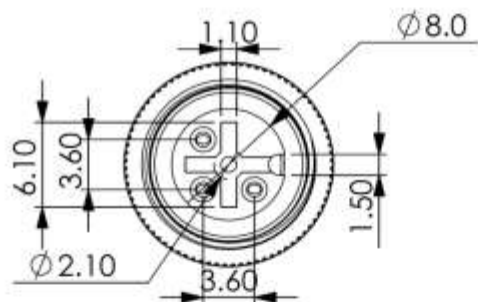
繪圖: DanielShyr  
核准: SkyShyr

日期: '07/01/23  
版本: V. 1.0

繪圖: DanielShyr  
核准: SkyShyr



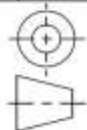
SECTION A-A



4	3PHousing	PBT+GF15%		1
3	Terminals	Brass	Gold Ptd.	3
2	Screw Cap 1	Brass	Nickel Ptd.	1
1	Rubber Ring	NBR		1
No.	Description	Material	Treat	Q'ty

俞昌有限公司  
YEU TSANG CO. LTD.

品名: ITEM :	3P M12 WATER TIGHT CABLE JACK MOLDING TYPE	
料號: PART NO.	WP1203JMR	圖號: DRW NO.



一般公差  
.X +/-0.25  
.XX +/-0.10

SHEET:	1
1	1

單位:  
unit:

mm

日期:  
date:

'07/01/23

繪圖:  
drwn by: DanielShyr

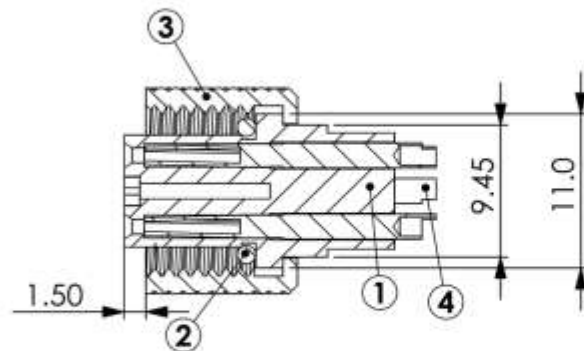
比例:  
scale:

2 : 1

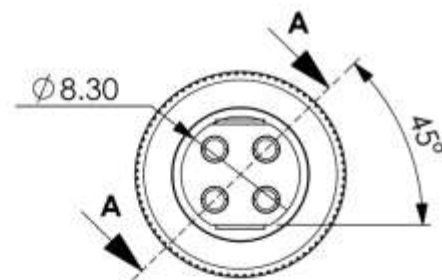
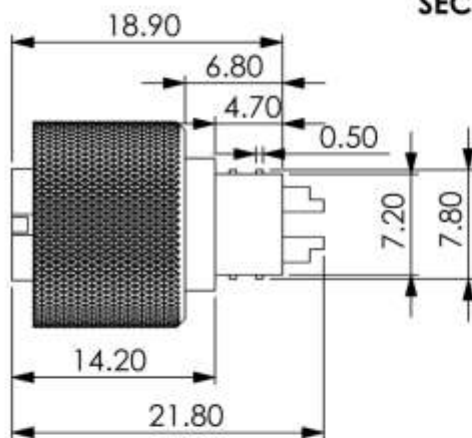
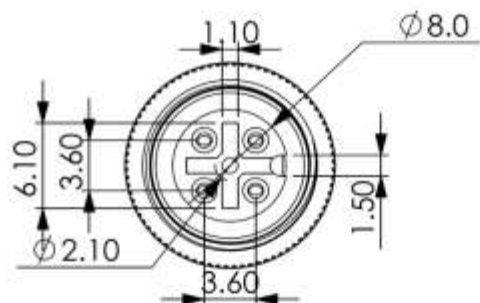
版本:  
version:

V. 1.0

核准:  
aprvid by: SkyShyr



SECTION A-A



4	1204T Terminals	Brass	Gold Ptd.	4
3	Screw Cap 1	Brass	Nickel Ptd.	1
2	Rubber Ring	NBR		1
1	1204J Housing	PBT+GF15%		1
No.	Description	Material	Treat	Q'ty

俞昌有限公司  
YEU TSANG CO. LTD.

品名: ITEM :	4P M12 WATER TIGHT CABLE JACK MOLDING TYPE	
料號: PART NO	WP1204JMR	圖號: DRW NO.



一般公差  
X +/-0.25  
.XX +/-0.10

SHEET:	1
1	1

單位:  
unit:

mm

日期:  
date:

'07/01/23

繪圖:  
drwn by: DanielShyr

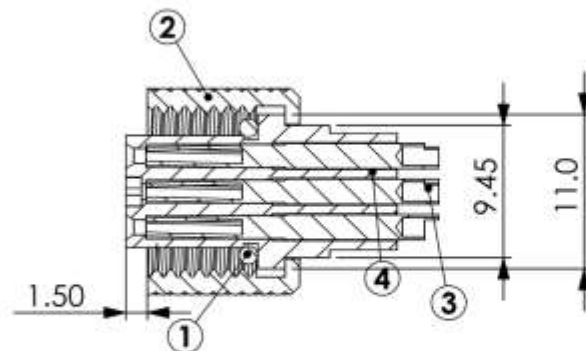
比例:  
scale:

2:1

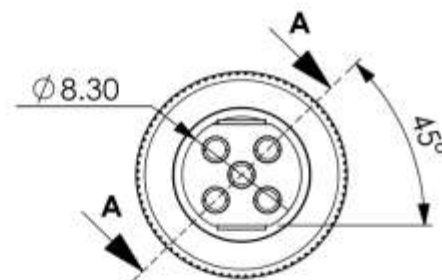
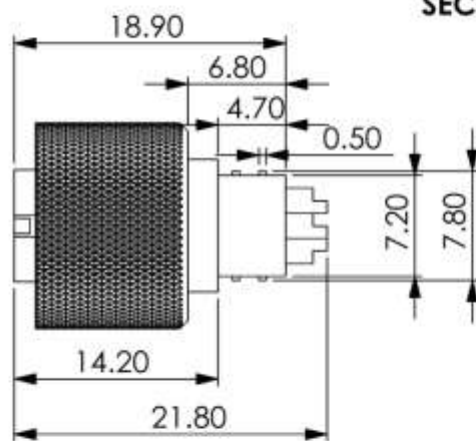
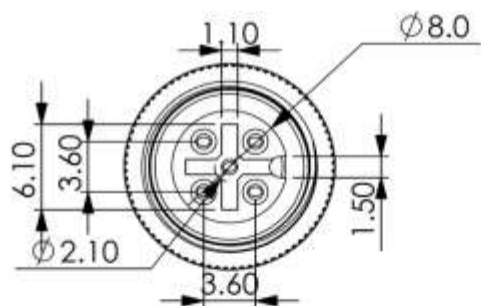
版本:  
version:

V. 1.0

核准:  
aprvid by: SkyShyr



SECTION A-A



4	5P Housing	PBT+GF15%		1
3	1204T Terminals	Brass	Gold Ptd.	5
2	Screw Cap 1	Brass	Nickel Ptd.	1
1	Rubber Ring	NBR		1
No.	Description	Material	Treat	Q'ty

俞昌有限公司  
YEU TSANG CO. LTD.

品名: 5P M12 WATER TIGHT CABLE JACK  
ITEM: MOLDING TYPE  
料號: WP1205JMR  
PART NO  
圖號:  
DRW NO.



一般公差  
.X +/-0.25  
.XX +/-0.10

SHEET:  
1  
1

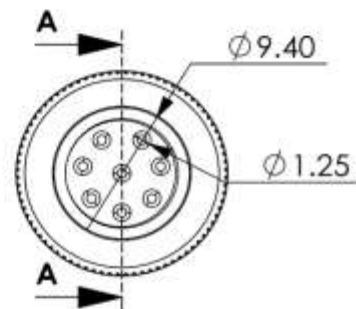
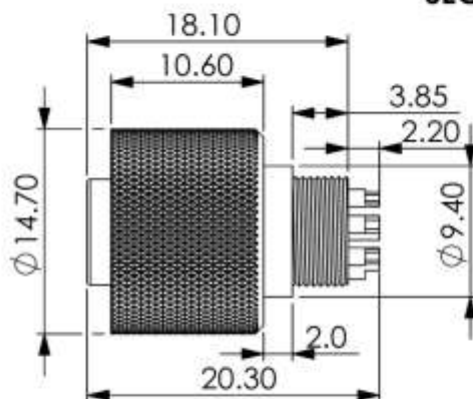
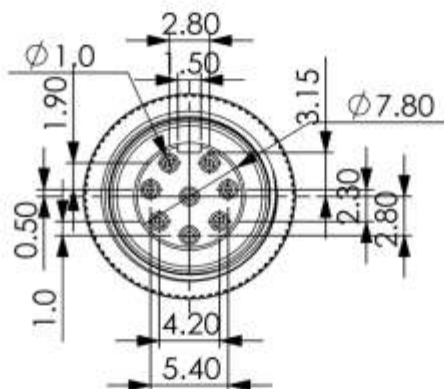
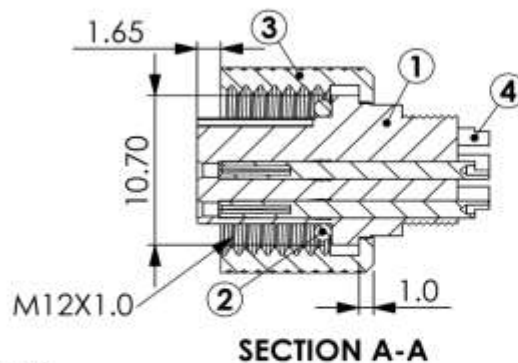
單位:  
unit:  
比例:  
scale:

mm  
2:1

日期:  
date:  
版本:  
version:

'07/01/23  
V. 1.0

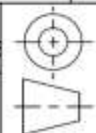
繪圖:  
drwn by: DanielShyr  
核准:  
aprvid by: SkyShyr



No.	Description	Material	Treat	Q'ty
4	Terminals	Brass	Gold Ptd.	8
3	Screw Cap	Brass	Nickel Ptd.	1
2	Rubber Ring			1
1	Housing	Thermoplastic	UL94V-0	1

俞昌有限公司  
YEU TSANG CO. LTD.

品名: ITEM:	8P M12 WATER TIGHT CABLE JACK MOLDING TYPE	
料號: PART NO.	WP1208JMR	圖號: DRW NO.



一般公差	SHEET:
.X +/-0.25	1
.XX +/-0.10	1

單位: unit:	mm
比例: scale:	2:1

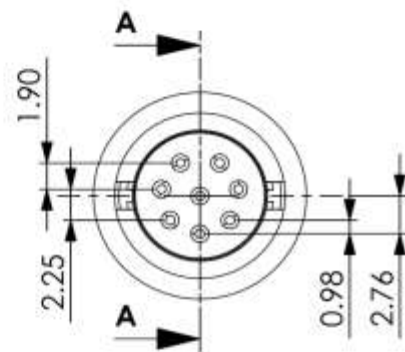
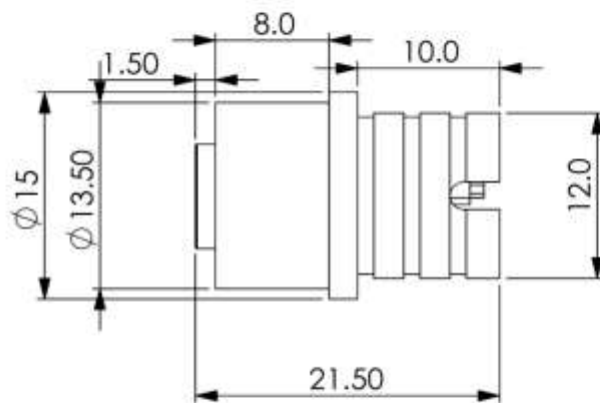
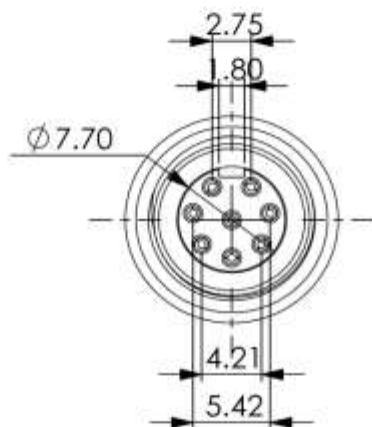
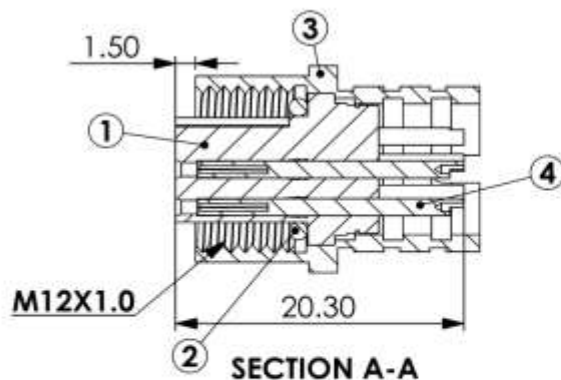
日期: date:	'07/01/23
版本: version:	V. 1.0

繪圖: drwn by:	DanielShyr
核准: aprld by:	SkyShyr

日期: date:	'07/01/23
版本: version:	V. 1.0

繪圖: drwn by:	DanielShyr
核准: aprld by:	SkyShyr

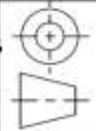
日期: date:	'07/01/23
版本: version:	V. 1.0



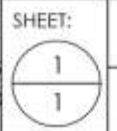
No.	Description	Material	Treat	Q'TY
1	Housing	PBT+GF30%		1
2	Sealed Ring	NBR		1
3	Shield Cover	Brass	Nickel Ptd.	1
4	Terminals	Brass	Gold Ptd.	8

俞昌有限公司  
YEU TSANG CO. LTD.

品名: 8P M12 WATER TIGHT CABLE JACK FOR MOLDING  
ITEM :  
料號: WP1208JM  
PART NO:  
圖號:  
DRAW NO:



一般公差  
.X +/-0.25  
.XX +/-0.10



單位: mm  
比例: 2:1

日期: '08/03/03  
版本: V. 1.0

繪圖: DanielShyr  
核准: SkyShyr

日期: '08/03/03  
版本: V. 1.0  
繪圖: DanielShyr  
核准: SkyShyr