

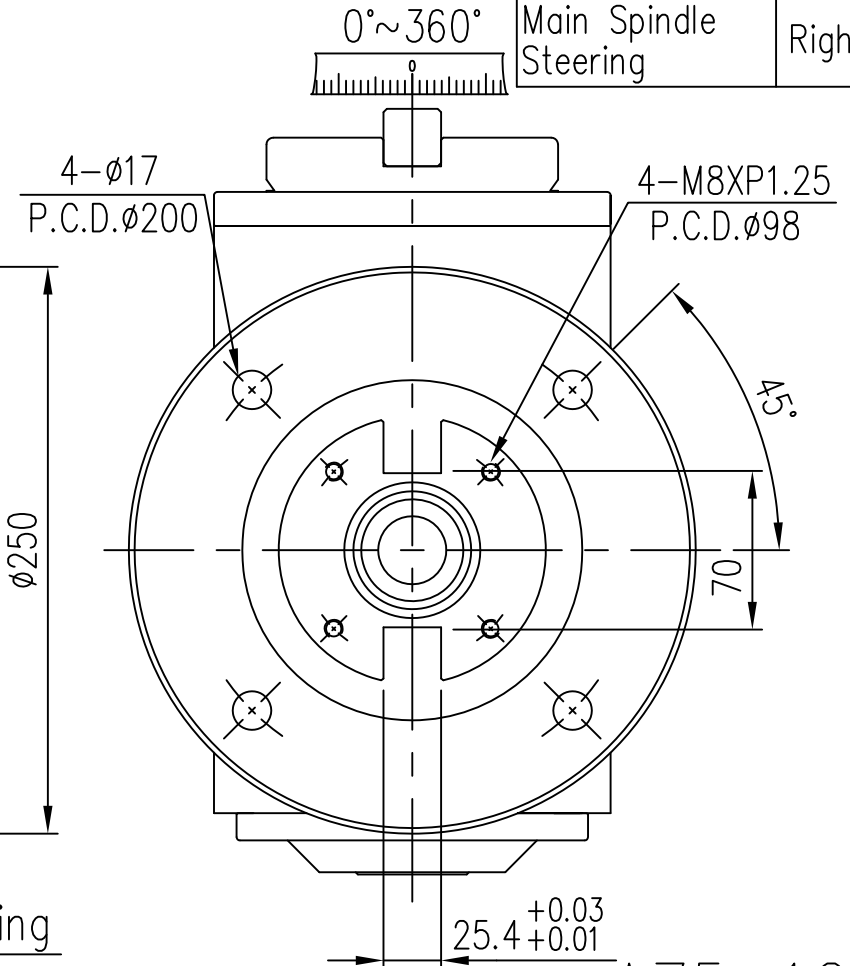
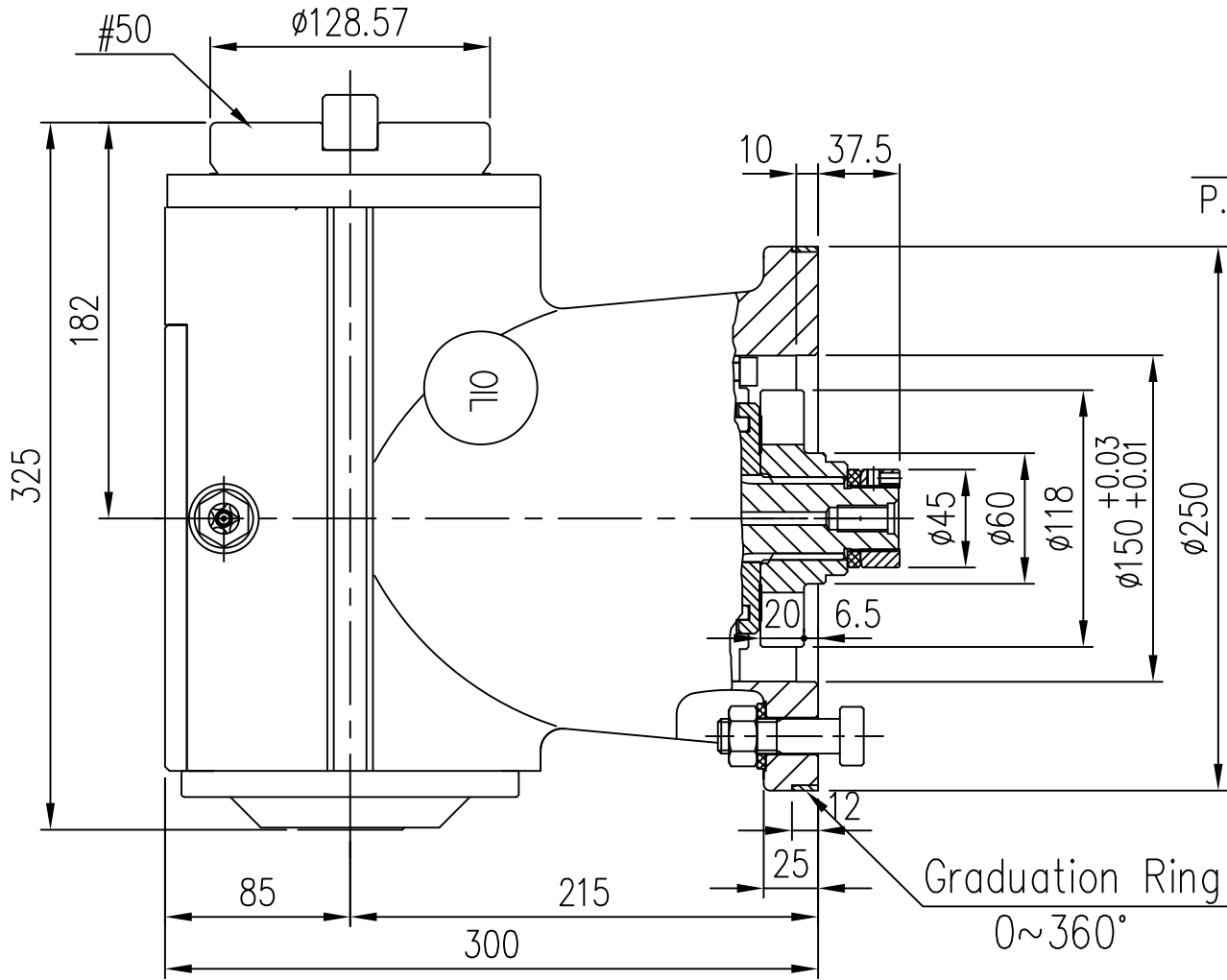
加工精度

Accessories : "T"-Screw x4
M16XP2.5X67L

Pull Stud
Select

BT(M24X3.0)
NT(M24X3.0)
NT(1")

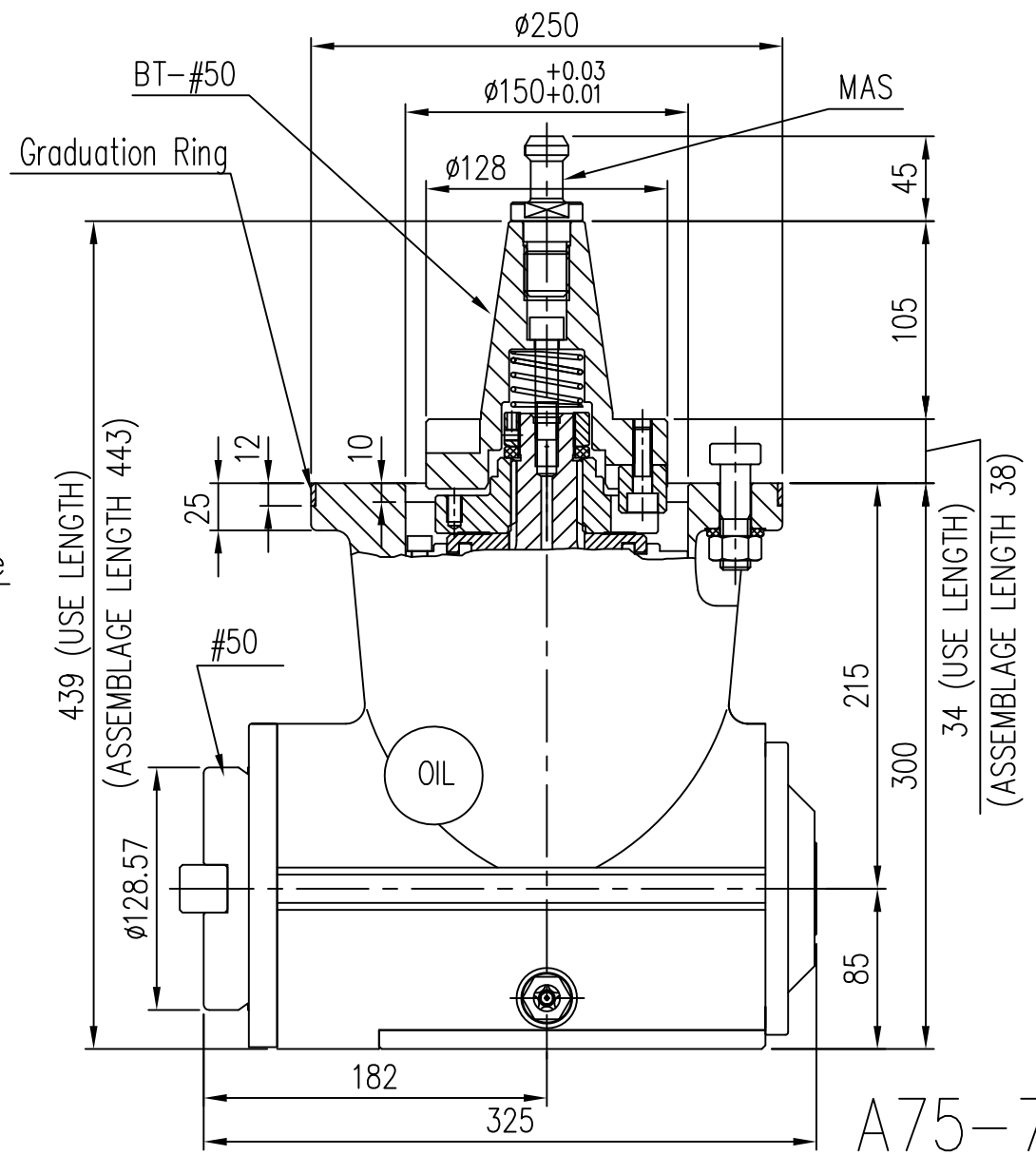
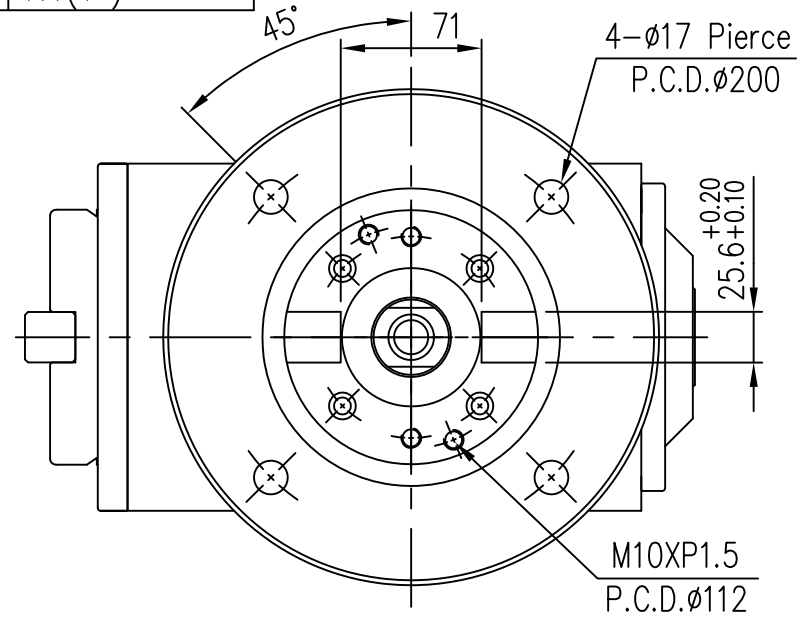
Max Cutter Dia	φ200(8")
Reduction Ratio	1 : 1
Max Torque	1000N.m
Max Power	38kw
Max Revolving	800rpm
Main Spindle Steering	Right Turn



A75-1C(E)

加工精度	
Max Cutter Dia	φ200(8")
Reduction Ratio	1 : 1
Max Torque	1000Nm
Max Power	38kw
Max Revolving	800rpm
Main Spindle Steering	Right Turn
Accessories	T-Screws X4 M16XP2.0X67L

Pull Stud Select	BT(M24X3.0)
	NT(M24X3.0)
	NT(1")



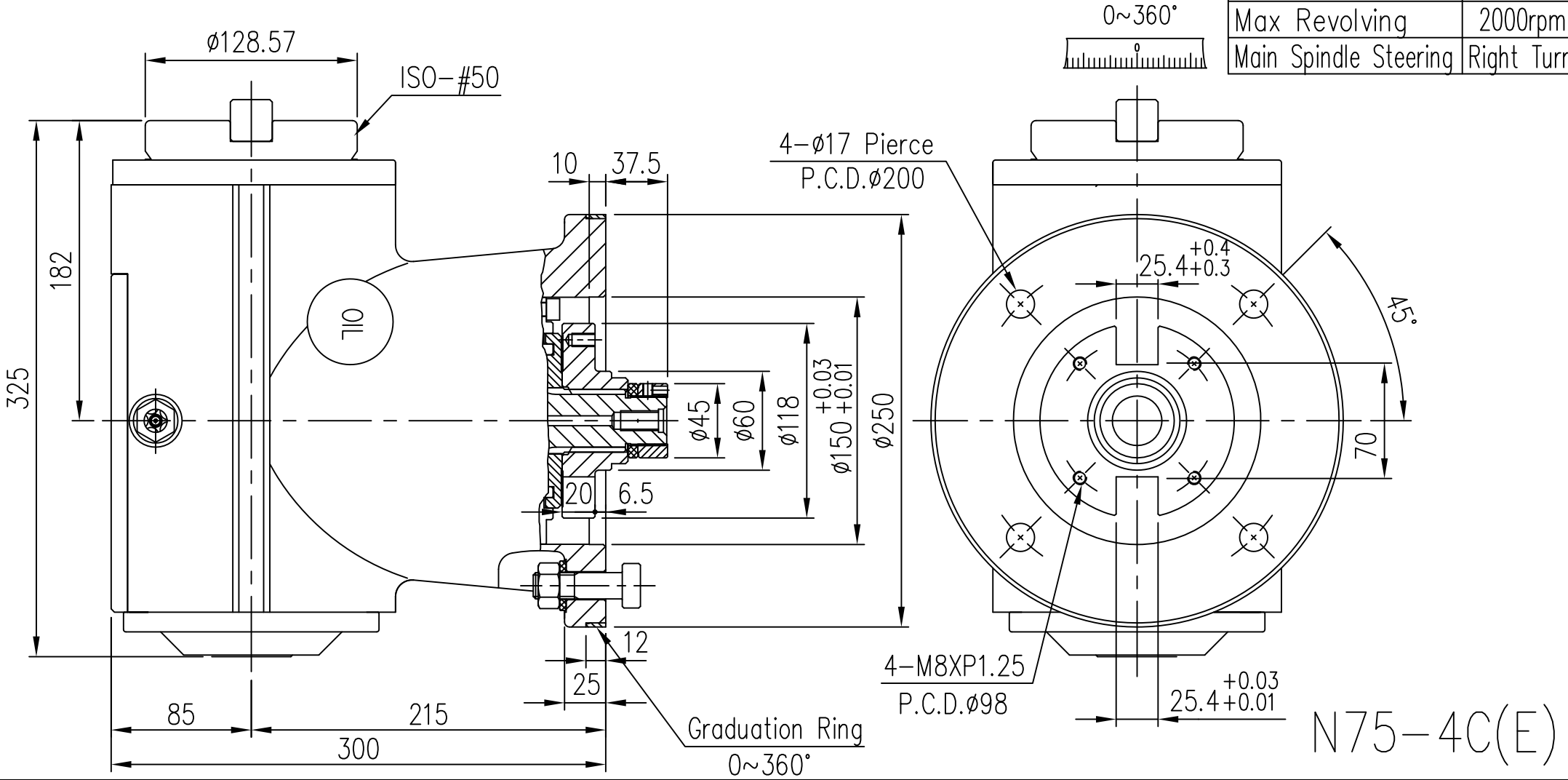
A75-7(E)

加工精度

Accessories : T-Screw
M16XP2.0X67L X4

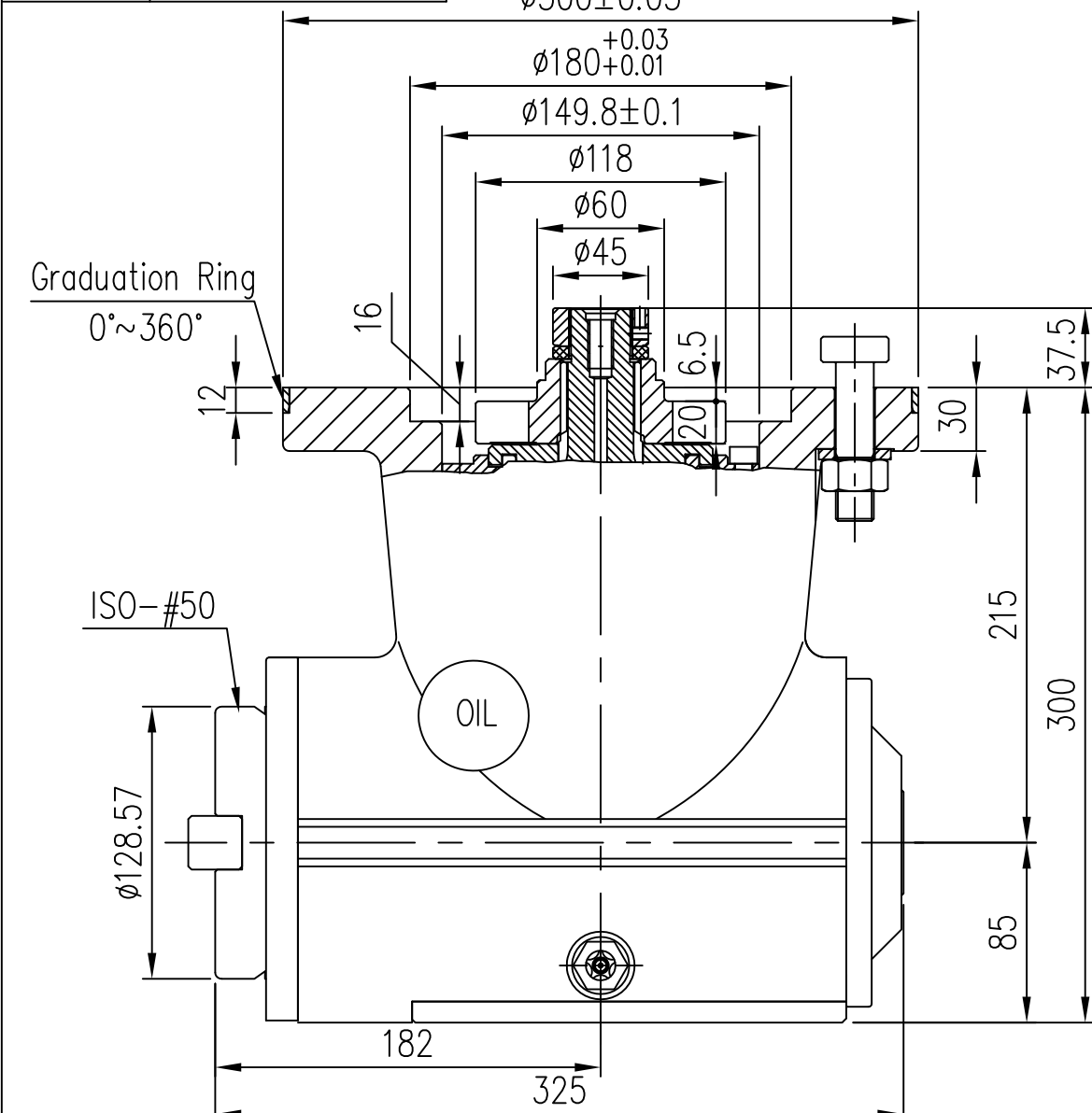
Pull Rod Select	BT(M24X3.0)
	NT(M24X3.0)
	NT(1")

Max Cutter Dia	φ150(6")
Reduction Ratio	1 : 1
Max Torque	1000N.m
Max Power	38kw
Max Revolving	2000rpm
Main Spindle Steering	Right Turn



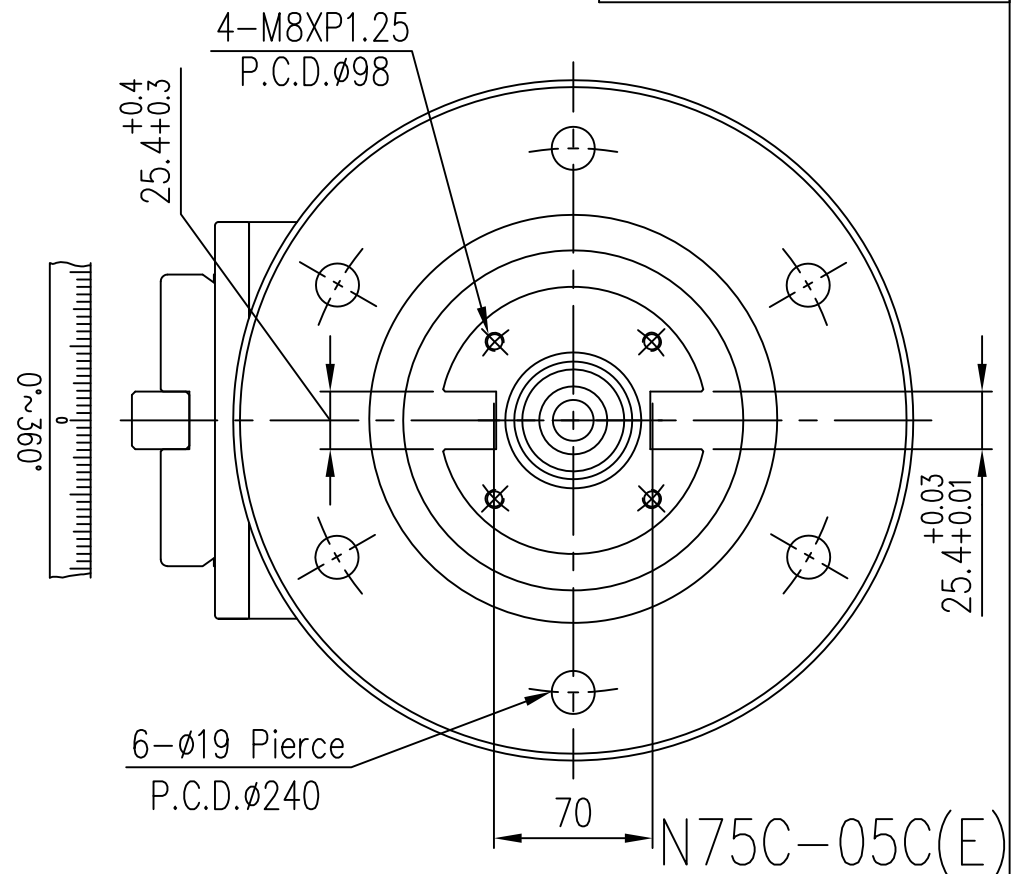
N75-4C(E)

加工精度

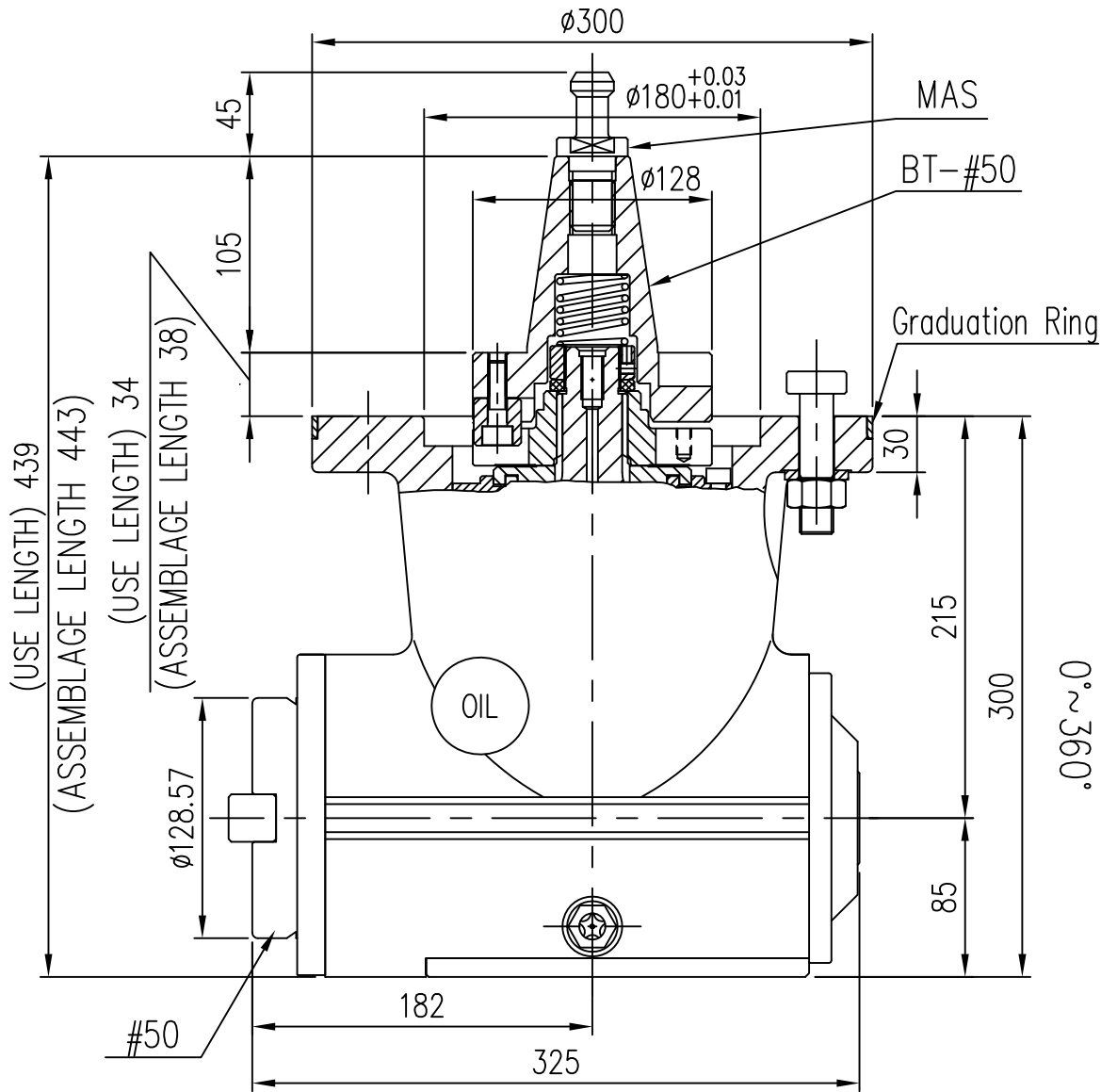


Pull Stud Select	BT(M24X3.0)
	NT(M24X3.0)
	NT(1")

Max Cutter Dia	$\phi 150(6")$
Reduction Ratio	1 : 1
Max Torque	1200N.m
Max Power	38kw
Max Revolving	2000rpm
Spindle Steering	Right Turn
Accessories : T-Screw x6 M18XP2.5X87L	

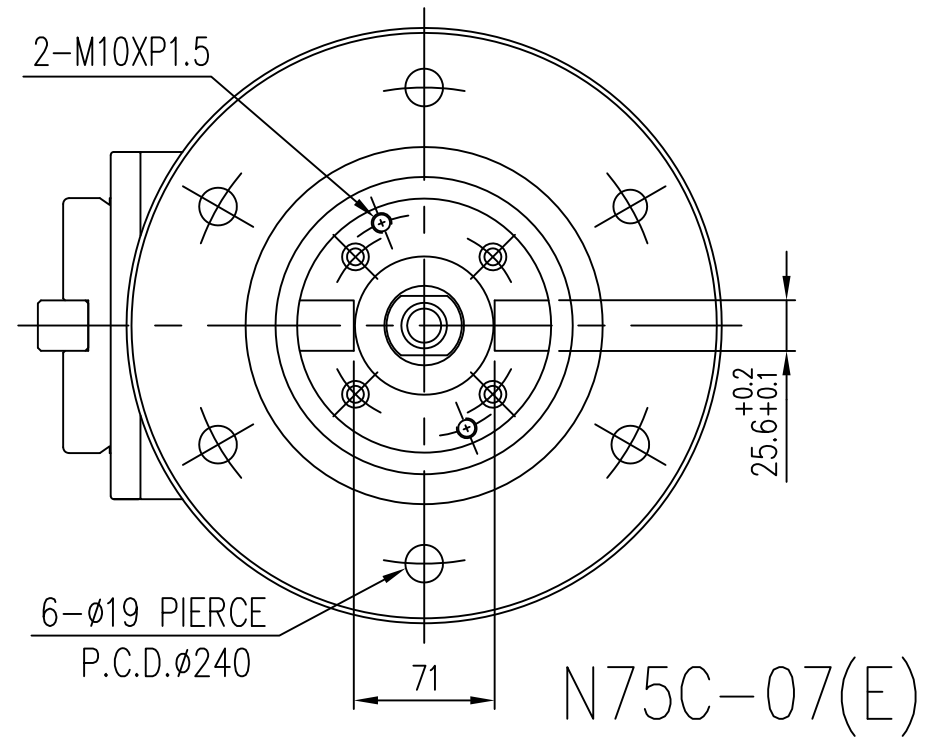


加工精度



Pull Stud Select	BT(M24X3.0)
	NT(M24X3.0)
	NT(1")

Max Cutter Dia	φ150(6")
Reduction Ratio	1 : 1
Max Torque	1200 N.m
Max Power	38kw
Max Revolving	2000rpm
Main Spindle Steering	Right Turn
Accessories : T-Screws X6 M18XP2.5X87L	



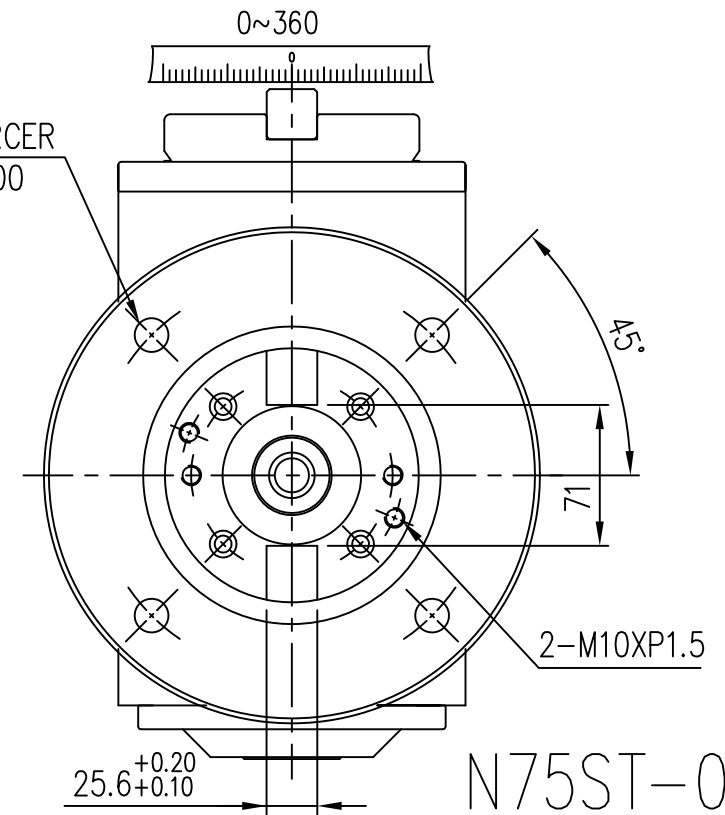
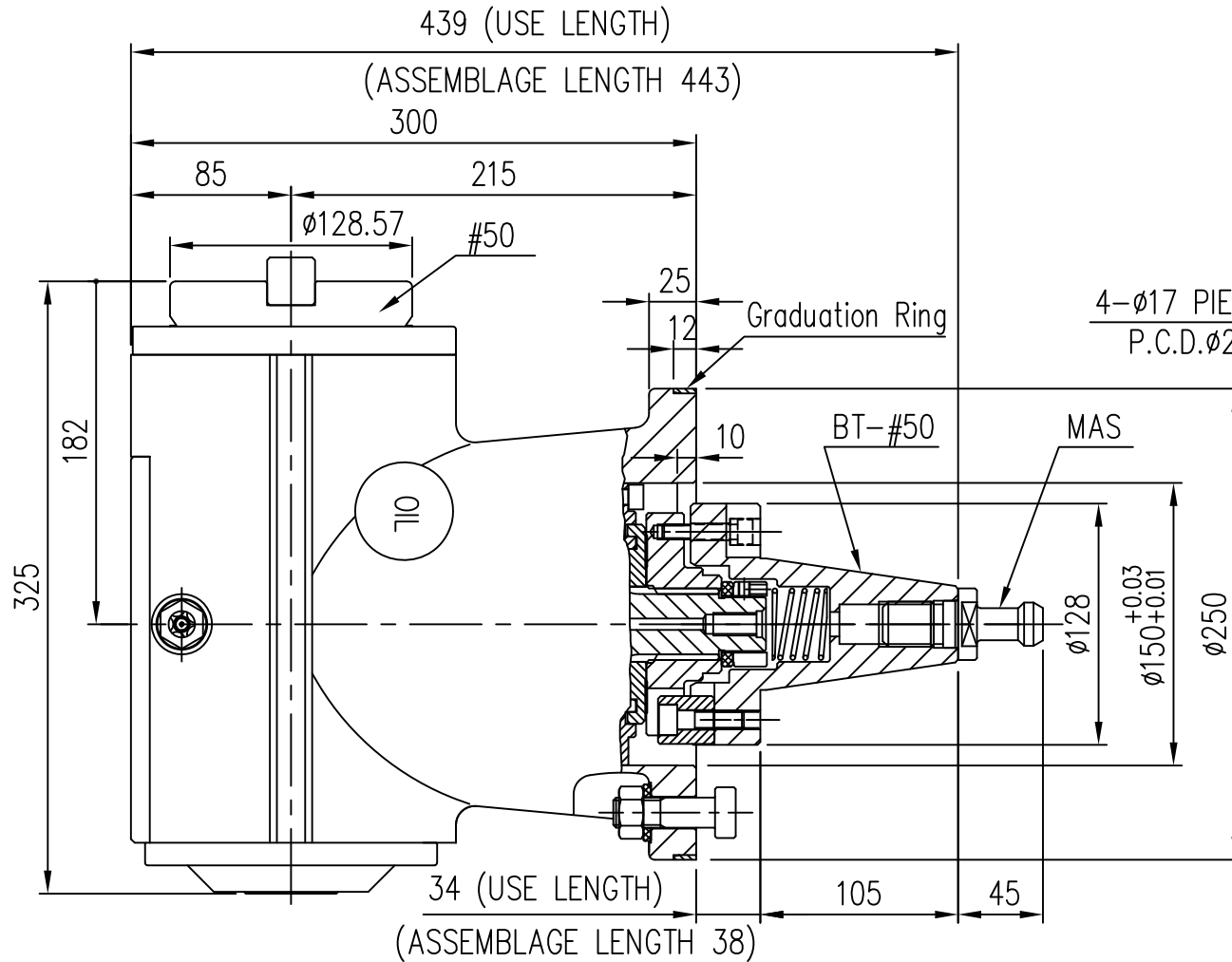
加工精度

Pull Rod
Select

BT(M24X3.0)
NT(M24X3.0)
NT(1")

Max Cutter Dia	φ150(6")
Reduction Ratio	1 : 1
Max Torque	1000N.m
Max Power	38kw
Max Revolving	2000rpm
Main Spindle Steering	Right Turn

Accessories : "T"-Screw
M16XP2.0X67L x4



N75ST-01(E)