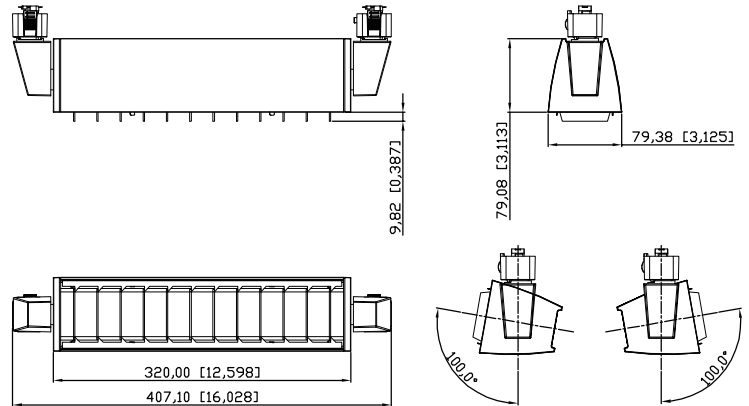
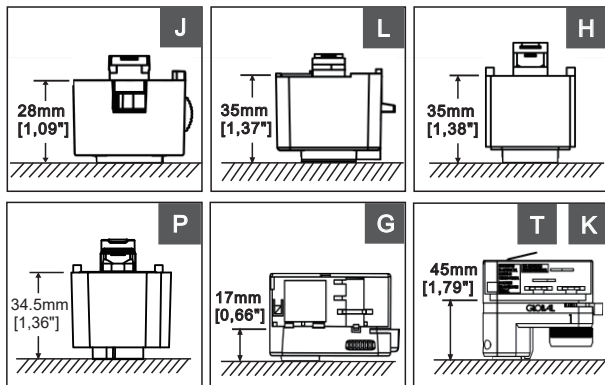
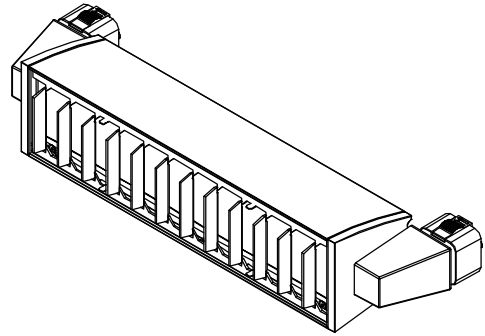


Specification sheet

REV.1

Classic Linear Flood 1



Description

Classic Linear Flood is a high performance track wallwasher. It delivers up to 2000 lm/ft and 83 lm/W. It can tilt up to 100° for maximum field adjustability and flexibility. The integrated LED board and drivers can be accessed by removing the front lens module for serviceability. The driver has been fine-tuned to deliver the best dimming performance. It comes with standard one foot or two feet and an option of louver, which is designed with simple field installation.

Features

LED	OSRAM 5S
Color temperature	2700K/ 3000K/ 3500K/ 4000K
Accessories	LF x LV Louver
Driver	Integrated class 2 driver, power factor >0.90

Performance

Delivered output	Up to 2076 lm
Power consumption	25 W
Color rendering	80+CRI (90 CRI optional)
CBCP	688 cd (80CRI) / 582 cd (90CRI)

Electrical and Control

Input voltage	See the ordering code
Control	TRIAC/ELV dimming
Feature	Overload & short circuit protection

Construction

Material	Machining Grade Aluminium
Finishes	Black/ White
Lens	Proprietary Optics

Rating/ Certification/ Warranty

- Dry and damp Locations
- RoHS compliant
- UL classified E465197
- 5 years/ 50,000 hrs warranty

Ordering Code Information

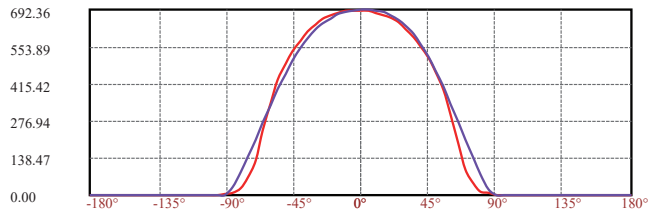
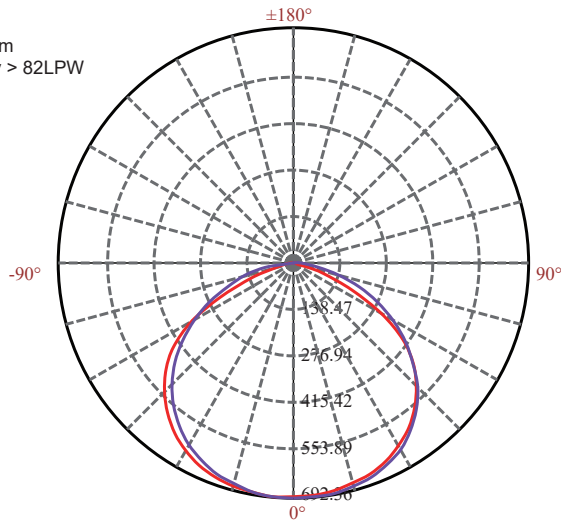
PRODUCT	TRACK SYSTEM	LUMEN	COLOR TEMPERATURE	FINISH	INPUTVOLTAGE DIMMING
CLS LF1	J	20	27	WH	3

CLS LF1	H Halo track compatible J Juno track compatible L Lightlier track compatible G Global-3 circuit, Ga69 GK K Global HTEK HTEK100 P Power Gear- 3 wire, 3 circuit T Global TEK, TEK100	20 2000lm	27 (2700K) 30 (3000K) 35 (3500K) 40 (4000K)	WH (White) BK (Black)	3 (120-277V) / DIM on 120V only 4 (220-240V) 7 (277V)
---------	---	-----------	--	----------------------------	---

Photometric Data : Distribution Curve

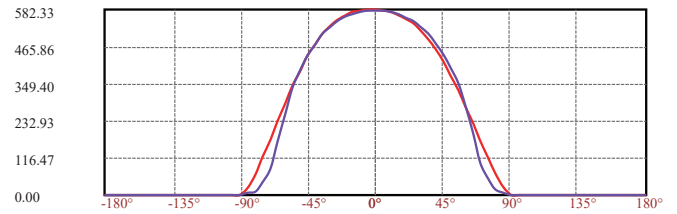
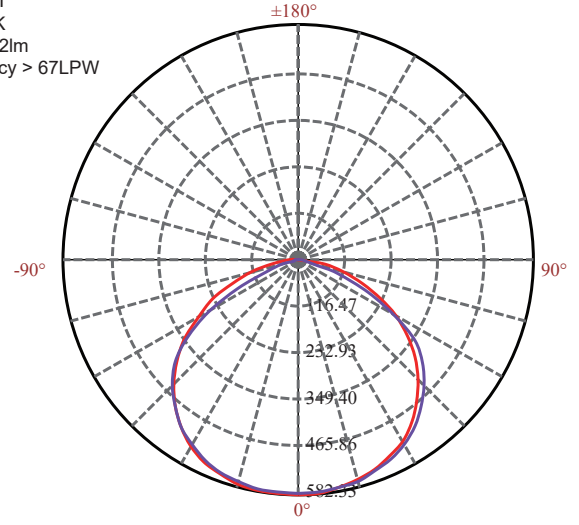
Linear Flood 1 (80CRI / 90CRI)

Linear Flood 1
80CRI
3000K
> 2076lm
Efficacy > 82LPW



C0/C180: — (red line)
C90/C270: — (blue line)

Linear Flood 1
90CRI
3000K
> 1742lm
Efficacy > 67LPW



C0/C180: — (red line)
C90/C270: — (blue line)

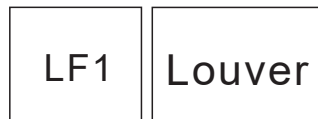
1.0m	688.51lx	337.19 cm
2.0m	172.13lx	674.38 cm
3.0m	76.50lx	1011.58 cm
4.0m	43.03lx	1348.77 cm
5.0m	27.54lx	1685.96 cm
6.0m	19.13lx	2023.16 cm
7.0m	14.05lx	2360.35 cm
8.0m	10.76lx	2697.54 cm
9.0m	8.50lx	3034.73 cm
10.0m	6.89lx	3371.92 cm
11.0m	5.69lx	3709.12 cm
12.0m	4.78lx	4046.31 cm

Beam angle of C90plane 118.71

1.0m	582.33lx	335.75 cm
2.0m	145.58lx	671.49 cm
3.0m	64.70lx	1007.24 cm
4.0m	36.40lx	1342.98 cm
5.0m	23.29lx	1678.73 cm
6.0m	16.18lx	2014.48 cm
7.0m	11.88lx	2350.22 cm
8.0m	9.10lx	2685.97 cm
9.0m	7.19lx	3021.71 cm
10.0m	5.82lx	3357.46 cm
11.0m	4.81lx	3693.21 cm
12.0m	4.04lx	4028.95 cm

Beam angle of C0plane 118.48

Optional Accessory



LF1 LFX LV Louver

