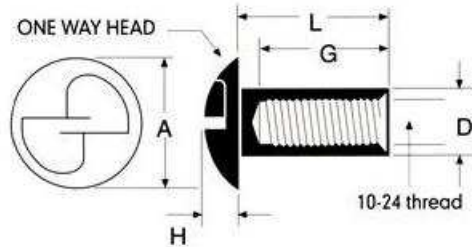


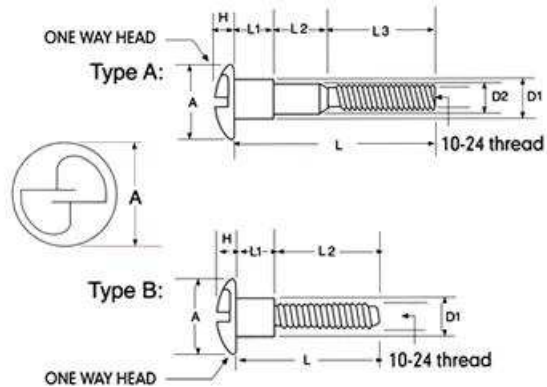
ONE WAY SEX BOLTS



FEMALE NUT

A ±0.008	H ±0.011	D ±0.004	L ±0.01	G ±0.02	THREAD
0.4375	0.12	0.245	0.625	0.5	10-24
0.4375	0.12	0.245	0.5	0.37	10-24

(IN INCH)



MALE SCREW

TYPE	A ±0.008	H ±0.01	D1 ±0.004	D2 ±0.004	L ±0.01	L1 ±0.008	L2 ±0.02	L3 ±0.02	THREAD
B	0.437	0.12	0.25	-	0.5	0.13	0.37	-	10-24
B	0.437	0.12	0.25	-	0.75	0.27	0.48	-	10-24
B	0.437	0.12	0.25	-	0.937	0.27	0.667	-	10-24
A	0.437	0.12	0.25	0.185	1.06	0.27	0.22	0.57	10-24
A	0.437	0.12	0.25	0.185	1.19	0.27	0.22	0.70	10-24
A	0.437	0.12	0.25	0.185	1.31	0.27	0.22	0.821	10-24

(IN INCH)