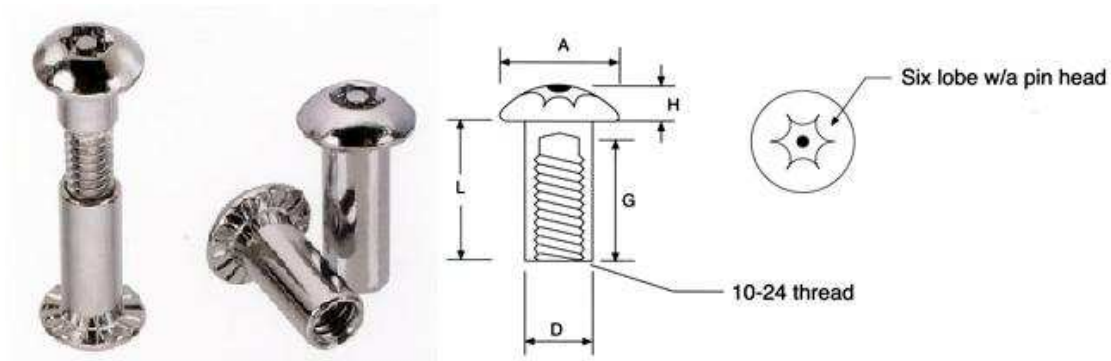


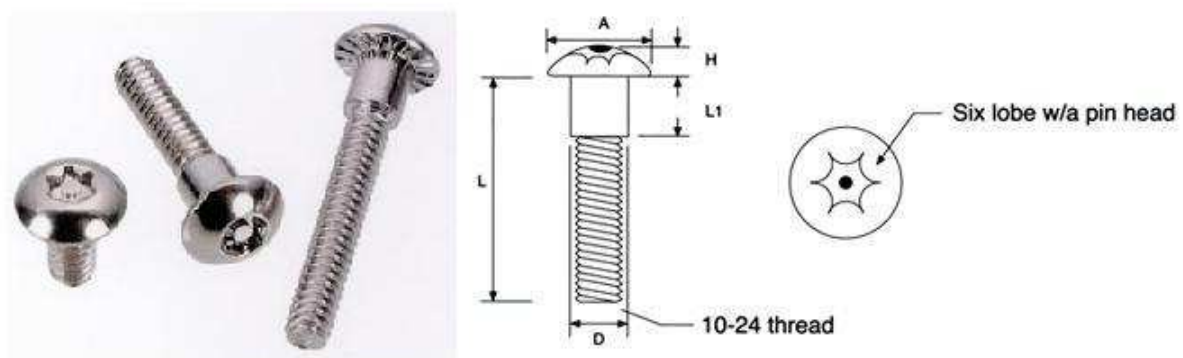
SIX LOBE WITH PIN SEX BOLTS



FEMALE NUT

A ±0.008	H ±0.008	D ±0.004	L ±0.01	G ±0.02	THREAD
0.425	0.125	0.245	0.5	0.377	10-24
0.425	0.125	0.245	0.625	0.5	10-24

(IN INCH)



MALE SCREW

A ±0.008	H ±0.008	D1 ±0.003	L ±0.01	L1 ±0.008	THREAD
0.425	0.125	0.236	3/4	0.27	10-24
0.425	0.125	0.236	15/16	0.27	10-24
0.425	0.125	0.236	1 1/16	0.27	10-24
0.425	0.125	0.236	1 3/16	0.27	10-24
0.425	0.125	0.236	1 5/16	0.27	10-24
0.425	0.125	0.236	1 3/8	0.27	10-24

(IN INCH)