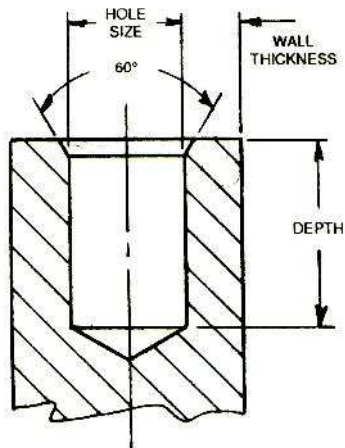
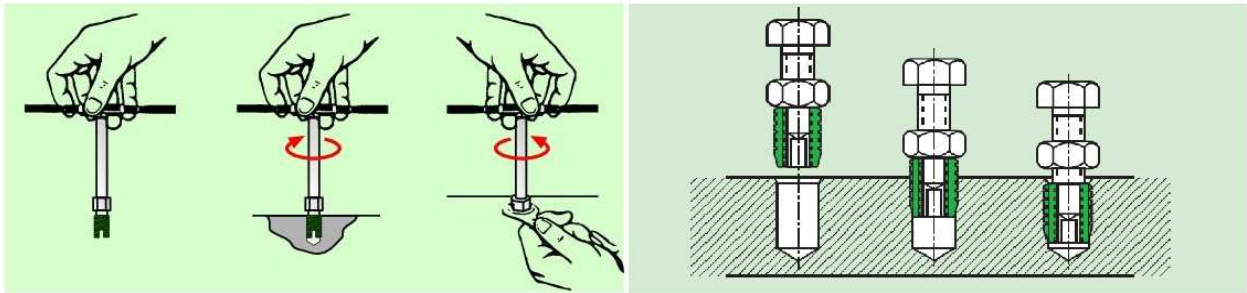


SELF TAPPING THREADED INSERT MANUAL INSTALLATION TOOLS



INCH SIZE		METER SIZE		LENGTH	SQUARE ACROSS FLAT	COLLAR ACROSS FLAT
THREAD	PART NO.	THREAD	PART NO.	II		
2-56	TSIT0256	M2.5	TSMT025	2.165	0.197"	7mm
4-40	TSIT0440	M3	TSMT030	2.165	0.197"	7mm
6-32	TSIT0632	M3.5	TSMT035	2.362	0.197"	7mm
8-32	TSIT0832	M4	TSMT040	2.362	0.197"	7mm
10-24**	TSIT1024	M5	TSMT050	2.953	0.315"	13mm
1/4-20**	TSIT0420	M6	TSMT060	2.953	0.315"	13mm
5/16-18	TSIT0518	M8	TSMT080	2.953	0.315"	13mm
3/8-16	TSIT0616	M10	TSMT010	3.740	0.492"	19mm
7/16-14	TSIT71614	M12	TSMT012	3.740	0.492"	19mm
1/2-13	TSIT01213	M14	TSMT014	3.740	0.492"	19mm



<p>STEP 1.</p> <p>DRILL THE HOLE, SCREW INSERT ON TO THE TOOL WITH SLOT POINTING DOWNWARD</p>	<p>STEP 2.</p> <p>MAINTAINING THE TOOL PERPENDICULARITY, ROTATE THE TAP CLOCKWISE & SCREW ITS WAY INTO MATERIAL</p>	<p>STEP 3.</p> <p>BACK OUT THE TOOL ANTI-CLOCKWISE & IT WILL AUTOMATICALLY RELEASED FROM THE INSERT</p>
--	--	--